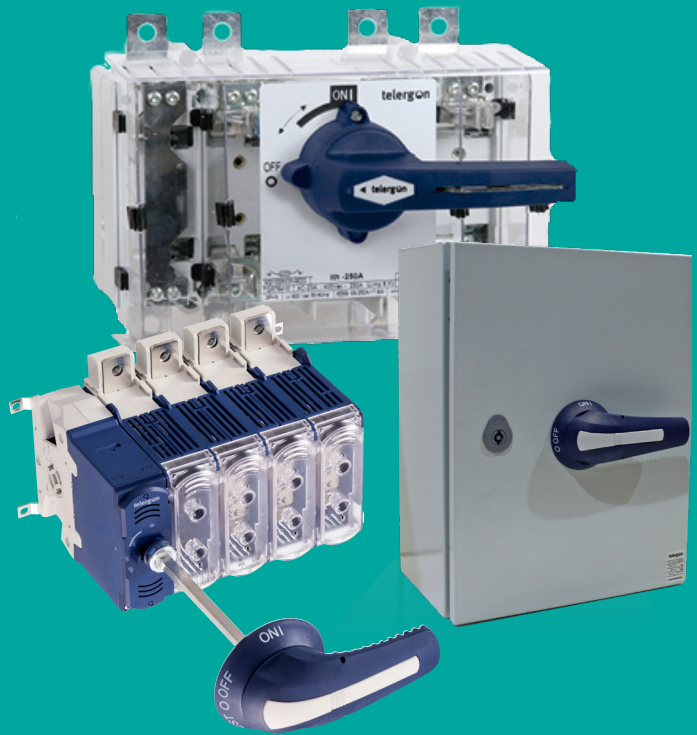


**telergon**  
gorlan



## M3 & M21 SERIES Fuse switch-disconnectors



[www.telergon.com](http://www.telergon.com)



**gorlan**

# Fuse switch-disconnectors

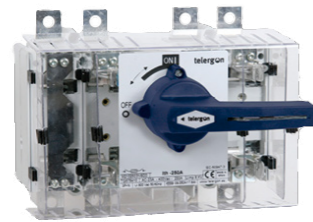
## What is a fuse switch-disconnectors?

A combination of a switch to disconnect the circuit and a fuse to shut the circuit off the event of a problem. When installing or maintaining equipment on the circuit, or the circuit itself, the switch provides a method to manually shut off the power.

This load break switches have a fuse provision in the switch and enclosure assembly, enabling you to open and close the circuit while providing overcurrent and short-circuit protection.



**M3 SERIES**  
32A-250A  
Compact solution



**M21 SERIES**  
400A-800A



**CIF SERIES**  
Enclosed solutions  
(metal & polyester)



ON LOAD make and break applications. Double break contacts



Finger protected switches and shrouds



Test position available up to 250 A.



Padlockable panel handle in OFF position. Defeatable panel handle.



Fixed and detachable neutral versions.



Up to 200 kA short circuit rating.



Cage connection up to 100A  
Lug connection up to 800A.



Front or lateral operation (only in M3 series). Easy to install.



Available for NFC, DIN, BS and Class J fuses.



IP65 / NEMA 4X handles.

## APPLICATIONS

Temporary power distribution panels



Photovoltaics (SSVT)



HVAC



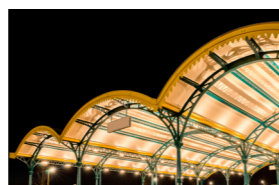
Switchboards



Motor control centers



Festival sites

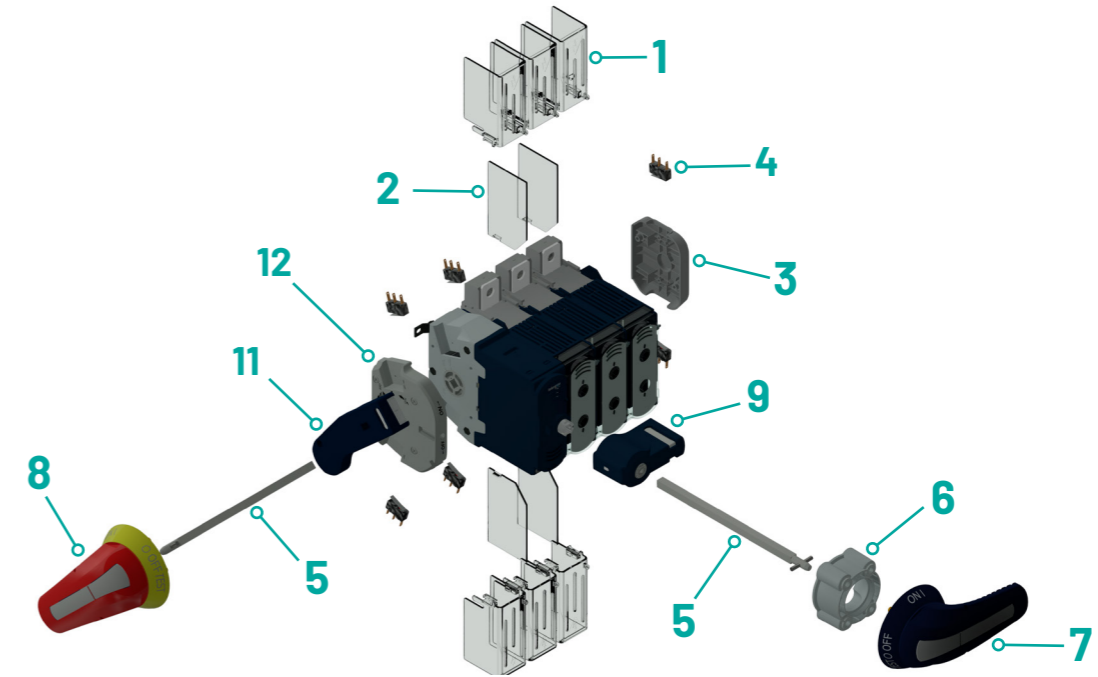


Power electronics

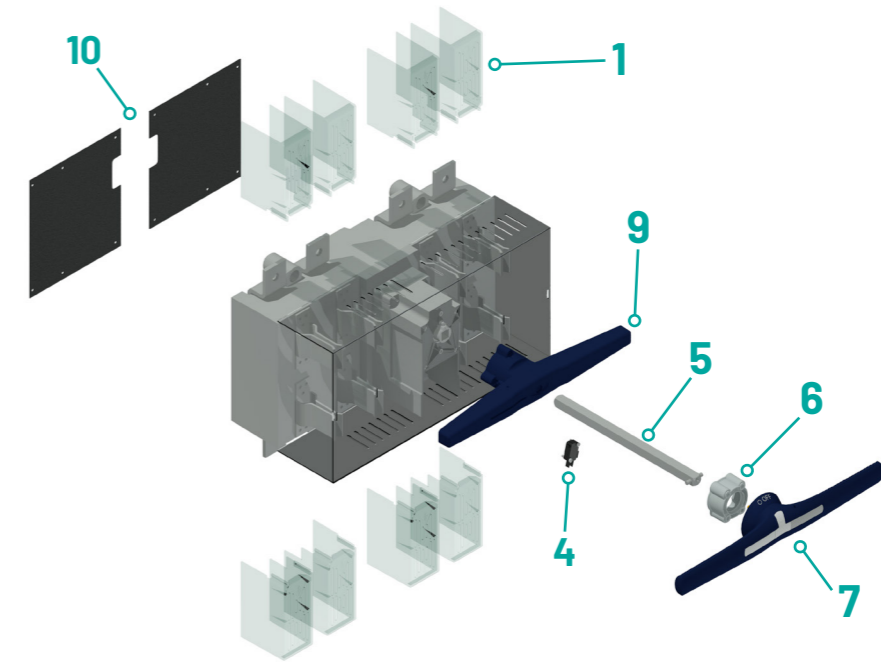


Voltage Stabilizers  
Drives/soft starters  
UPS

## SERIES M3



## SERIES M21



- |                                      |   |  |
|--------------------------------------|---|--|
| <b>1</b> Terminal shroud             | <b>5</b> Shaft extension                | <b>9</b> Direct handle                 |
| <b>2</b> Phase barrier               | <b>6</b> Shaft guide                    | <b>10</b> Rear protective plate        |
| <b>3</b> Simultaneous contact holder | <b>7</b> External handle                | <b>11</b> Side operation direct handle |
| <b>4</b> Auxiliary contact           | <b>8</b> Side operation external handle | <b>12</b> Front contact holder         |

► M3 SERIES | 2P, 3P, 3P+N & 3P+DN | 32A-250A



Amp.	Fuse	Size	Connection	2P	3P	3P+N <sup>(1)</sup>	3P+DN (fixed detachable neutral)	Front operation				
								Direct handle	External handle (shaft included)		ON-OFF Code	ON-OFF-TEST Code
									Standard	Emergency		
32	BS-A1-A2	00	00	M3-00322PBB10	M3-00323PBB10	M3-00323NBB10	M3-00323DBB10	DM3SIB1	177	DM3SAB2	DM3SAB1	
50	14x51			M3-00502PBC20	M3-00503PBC20	M3-00503NBC20	M3-00503DBC20					
63	BS-A2-A3			M3-00632PBB20	M3-00633PBB20	M3-00633NBB20	M3-00633DBB20					
63	NH000			M3-00632PBD20	M3-00633PBD20	M3-00633NBD20	M3-00633DBD20					
80	BS-A3	00	00	M3-00802PBB30	M3-00803PBB30	M3-00803NBB30	M3-00803DBB30	DM3SIB1	177	DM3SRB2	DM3SRB1	
100	22x58			M3-01002PBC30	M3-01003PBC30	M3-01003NBC30	M3-01003DBC30					
100	NH000	00	00	M3-01002PBD30	M3-01003PBD30	M3-01003NBD30	M3-01003DBD30	DM3SIB1	177	DM3SAB2	DM3SAB1	
100	BS-A3			M3-01002PTB30	M3-01003PTB30	M3-01003NTB30	M3-01003DTB30					
125	BS-A3	0	0	M3-01252PTB30	M3-01253PTB30	M3-01253NTB30	M3-01253DTB30	DM3SIB1	177	DM3SRB2	DM3SRB1	
125	22x58			M3-01252PTC30	M3-01253PTC30	M3-01253NTC30	M3-01253DTC30					
125	NH00			M3-01252PTD40	M3-01253PTD40	M3-01253NTD40	M3-01253DTD40					
160	NH00	0	0	M3-01602PTD40	M3-01603PTD40	M3-01603NTD40	M3-01603DTD40	DM3SIB1	177	DM3SAB2	DM3SAB1	
160	BS-A4			M3-01602PSB50	M3-01603PSB50	M3-01603NSB50	M3-01603DSB50					
200	BS-B1-B2	1	1	M3-02002PSB60	M3-02003PSB60	M3-02003NSB60	M3-02003DSB60	DM3SI11	227	DM3SA12	DM3SA11	
200	NH1			M3-02502PSD50	M3-02503PSD50	M3-02503NSD50	M3-02503DSD50					
250	BS-B3	1	1	M3-02502PSB80	M3-02503PSB80	M3-02503NSB80	M3-02503DSB80	DM3SI11	227	DM3SR12	DM3SR11	
250	NH1			M3-02502PSD50	M3-02503PSD50	M3-02503NSD50	M3-02503DSD50					

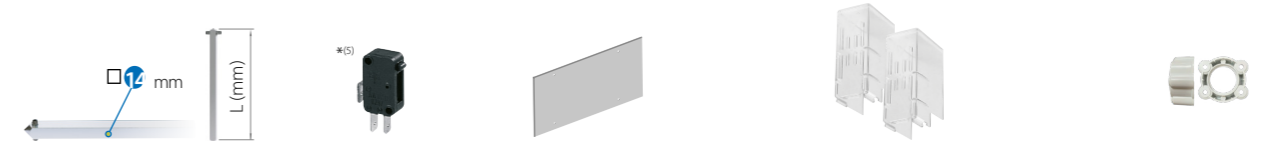


Size	Direct handle <sup>(2)</sup>	Side operation		Auxiliary contacts <sup>(3)</sup> (1 unit)	Auxiliary contacts holder <sup>(7)</sup>		Shaft extensions		Phase barriers		Terminal shrouds <sup>(4)</sup>		Shaft guide	
		Standard	Emergency		Early make contacts	Simultaneous contacts	L (mm)	Code	P	Code	Code	Code		
		Code	L (mm)		ON-OFF Code	ON-OFF-TEST Code	Code	Code	Code	L (mm)	Code	Code	Code	Code
00	DM3SSB1	177	DM3SBB2	DM3SBB1	DM3AUB1	DM3AMB1	DM3ASB1	250	DM3EP01	-	-	-	-	DS-EC00
			DM3SEB2	DM3SEB1				387	DM3EP02					
0	DM3SSB1	177	DM3SBB2	DM3SBB1	DM3AUB1	DM3AMB1	DM3ASB1	250	DM3EP01	2P	DM3SF01 <sup>(6)</sup>	DM3CU01	DS-EC00	
			DM3SEB2	DM3SEB1				387	DM3EP02	3P	DM3SF02 <sup>(6)</sup>	DM3CU02		
3P+N	DM3SF03 <sup>(6)</sup>	DM3CU03												
DN	-	DM3CU04 <sup>(8)</sup>												
1	DM3SS11	227	DM3SB12	DM3SB11	DM3AUB1	DM3AM11	DM3AS11	375	DM3EP11	2P	DM3SF11	DM3CU11	DS-EC00	
			DM3SE12	DM3SE11				536	DM3EP12	3P	DM3SF12	DM3CU12		
3P+N	DM3SF13	DM3CU13												
DN	-	DM3CU14 <sup>(8)</sup>												

► M21 SERIES | 3P, 3P+N & 3P+FN | 400A-800A



Amp.	Fuse	Size	Connection	3P	3P+N <sup>(1)</sup>	3P+FN	Manual handle	
							Direct handle	External handle (shaft included)
							Code	Code
400	NH2	2	00	M2104003PSD20	M2104003NSD20	M2104003FSD20	DM2SI21	DS-LA22
400	BSB1...BSB4			M2104003PSB50	M2104003NSB50	M2104003FSB50		DS-LR22
630	NH3	3	00	M2106303PSD30	M2106303NSD30	M2106303FSD30	DM2SI31	DS-LA31
800	NH3			M2108003PSD30	M2108003NSD30	M2108003FSD30		DS-LR31
630	BSC1...BSC2			M2106303PSB70	M2106303NSB70	M2106303FSB70		
800	BSC1...BSC3			M2108003PSB80	M2108003NSB80	M2108003FSB80		



Size	Shaft extensions			Auxiliary contacts <sup>(5)</sup>		Rear protective plate	Terminal shrouds <sup>(4)</sup>			Shaft guide
	□	L (mm)	Code	1NO+1NC Code	2NO+2NC Code		3P input Code	3P output Code	3P+N input / output Code	
	Code	Code	Code	Code	Code		Code	Code	Code	
2	14	345	DS-EP23	D5LAU01	D5LAU02	3P DM2PP21	DM2CU21	DM2CU22	DM2CU23	DS-EC00
3	14	345	DS-EP23	D5LAU01	D5LAU02	3P DM2PP31	DM2CU31	DM2CU32	DM2CU33	DS-EC00
						3P+N DM2PP32				

<sup>(1)</sup> Neutral pole early make & late break. Also available 4P.

<sup>(2)</sup> With the side handle code, the auxiliary contacts holder is included (DM3AMB1/DM3AM11), as it is required for installation.

<sup>(3)</sup> To be used as signaling or control contacts. I<sub>e</sub> = 0.1A at 125 VAC and 0.1A at 30 VDC (resistive loads) (M3) This code includes just an individual auxiliary contact (1 pc per package), so it is necessary to order as many pcs as it would be needed of any type of contact.

<sup>(4)</sup> One set for input or output.

<sup>(5)</sup> To be used as signaling or control contacts – I<sub>e</sub> = 16A (resistive loads) 4A (inductive loads) at 250 Vac. (M21)

<sup>(6)</sup> In 22x58 and BS size the device includes directly the phase barriers.

<sup>(7)</sup> With the switch 1NO+1NC early make contact (ON-OFF position) and 1NO+1NL early make contact (TEST position) can be fixed. Maximum capacity with holders: 3NO+3NC for OFF position (2 early make contacts and 1 simultaneous) 2NO+2NC for TEST position (2 early make contacts)

## TECHNICAL DATA



IEC-EN-UNE 60947-1 IEC-EN-UNE 60947-3			00					0		1		2		3			
			32 A	50 A	63 A	80 A	100 A	100 A	125 A	160 A	160 A	200 A	250 A	400 A	630 A	800 A	
Fuse type			BS-A1-A2	NFC 14x51	NH000 BS-A2-A3	BS-A3	NH000 NFC 22x58	BS A3	NH00   BS-A3 NFC 22x58	NH00	BS-A4	B S-B1-B2	NH1 BS-B3	NH2 BSB4	NH3 BS-C1...BSC2	NH3 BS-C1...BSC3	
Electrical features	Thermal current in ambient at 35°C (and temporarily 40 °C) <sup>*(1)</sup>	I <sub>th</sub>	A	32	50	63	80	100	100	125	160	160	200	250	400	630	800
	Rated insulation voltage	U <sub>i</sub>	Vac	1.000					1.000	1.000	1.000		1.000	1.000	1.000	1.000	
	Rated impulse withstand voltage	U <sub>imp</sub>	kV	8					8	8	12		12	12	12		
	AC rated operational current <sup>*(2)</sup> (Rated frequency 50 / 60 Hz)	Ue 415 V AC21A	A	32	50	63	80	100	100	125	160	160	200	250	400	630	800
		Ue 415 V AC22A	A	32	50	63	80	100	100	125	160	160	200	250	400	630	800
		Ue 415 V AC23A/AC23B	A	32	50	63	80	80	100	125	160*	160	200	250	400	630	630
	Power losses in fuses <sup>*(3)</sup>	NH/DIN	W	-	-	5,8	-	6,6	-	9	11,2	-	-	17	2	3	3
BS		W	2,9	-	5,6	6,5	-	8,5	11,3	-	14	14	18	29	44	63	
NFC		W	-	4,8	-	-	9	-	11,4	-	-	-	-	-	-	-	
Rated breaking capacity	400 V; cos φ = 0,35÷0,45	A	256	400	504	640	640	800	1.000	1.280	1.280	1.600	2.000	3.200	5.040	5.040	
Rated making capacity	400 V; cos φ = 0,45	A	320	500	630	800	800	1.000	1.250	1.600	1.600	2.000	2.500	4.000	6.300	6.300	
Short circuit behaviour	Conditional short-circuit current <sup>*(4)</sup>	NH/DIN/NFC	kA rms	-	100	100	-	100	-	100	100	-	-	100	100	100	
		BS	kA rms	80	-	80	80	-	80	80	-	80	80	80	100	100	
	Maximum cut - off current		kA (peak)	4,2	9,5	10,5	14	14	16,5	16,5	19,5	29	29	32	43	60,8	60,8
Mechanical data	Durability, number of operating cycles <sup>*(5)</sup>		Cycles	10.000					8.000		8.000		5.000		3.000		
		Maximum weight	2P	kg	0,6	0,6	0,6	0,7	0,7	1	1	1	2,6				
			3P	kg	0,85	0,85	0,85	1	1	1,3	1,3	1,3	3,4	6,6	13	13	
	3P+N	kg	1,1	1,1	1,1	1,3	1,3	1,6	1,6	1,6	4,2	8	15	15			

\*Category of operation B.

<sup>\*(1)</sup> According to IEC 60947-1, section 7.1.1. Minimum ambient temperature -5°C.

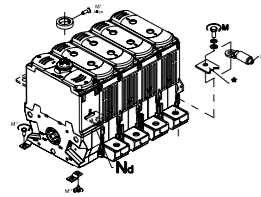
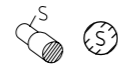
<sup>\*(2)</sup> Other voltages and / or utilization categories. Please consult.

<sup>\*(3)</sup> Power dissipation values of fuse - links used in type tests. Please consult for fuse - links with higher power dissipation.

<sup>\*(4)</sup> With a protective device limiting the cut - off current and the joule integral to the indicated values.

<sup>\*(5)</sup> According to the standards, for other values please consult.

## CONNECTION CAPACITY

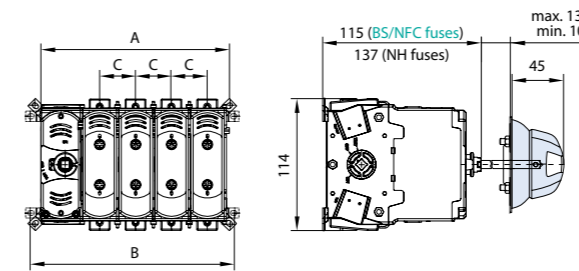


Size	I <sub>th</sub>	S min. (Cu)		S max. (Cu)		H max (Cu)		L max (Cu)		T	M	
		mm <sup>2</sup>	AWG	mm <sup>2</sup>	AWG	mm	In	mm	in		Nxm	lbfin
M3 00	32A	6	10								2	17.7
	50A	10	8	1x25	1x4							
	63A	16	6									
	80A	25	4	50	1							
	100A	35	3									
M3 0	100A	35	3									
	125A	50	1	70	00	3	1/8	25	1	M8	6	53
	160A	70	00									
M3 1	160A	70	00									
	200A	95	000	185	350	7	3/32	30	1 3/16	M10	18	159
	250A	120	250 kmil									
M21 2	400A	240	500	240	500	6	1 3/64	40	1 37/64	M10	24	212
	630A	2x185	2x400	2x185	2x400	2x7	2 3/32	50	1 33/32	M12	45	398
		800A	2x240	2x500	2x240						2x500	M8

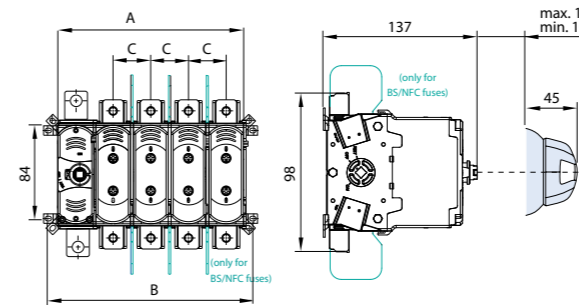
## DIMENSIONAL DRAWINGS (mm)



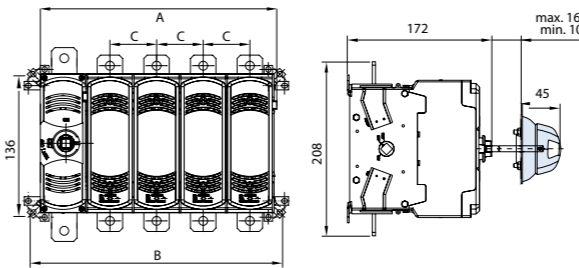
M3  
00



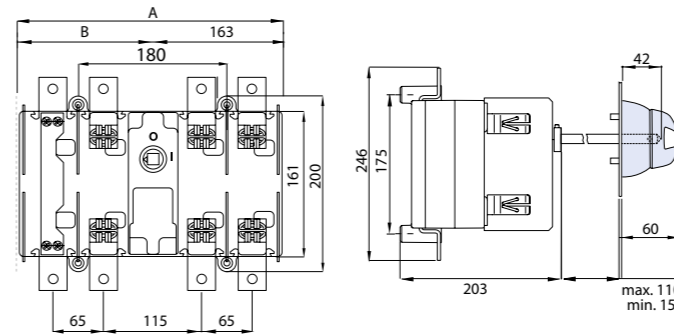
M3  
0



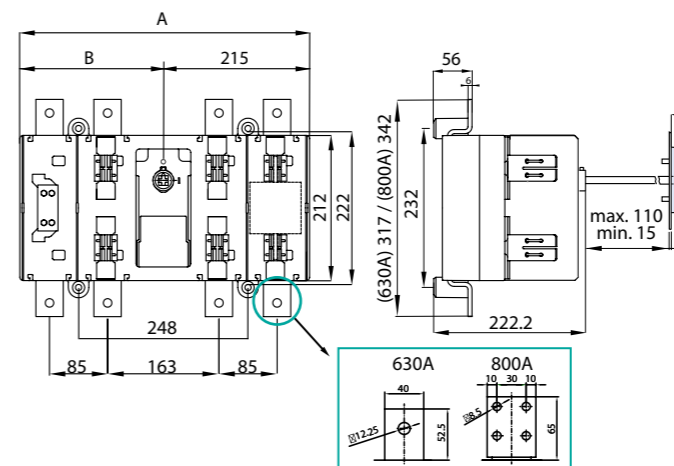
M3  
1



M21  
2



M21  
3



		A			B			C
		2P	3P	3P+N	2P	3P	3P+N	
NH BS NFC	32A	93	120	147	106	133	160	27
	50A							
	63A							
	80A 100A	101	132	163	114	145	176	31

		A			B			C
		2P	3P	3P+N	2P	3P	3P+N	
NH	125A 160A	109	144	179	123	158	193	35
BS NFC	100A 125A 160A	110	146	182	124	160	196	36

		A			B			C
		2P	3P	3P+N	2P	3P	3P+N	
BS NH	160A 200A 250A	168	223	278	192	247	302	55

\* 3P+DN dimensions are the same as the 3P

BS NH	400A	A		B	
		3P	3P+N	3P	3P+N
		274	329	111	166

BS NH	630A 800A	A		B	
		3P	3P+N	3P	3P+N
		381	426	166	211

\* 3P+FN dimensions are the same as the 3P+N

► M3 SERIES | 3P, 3P+N & 3P+DN | 30A-200A



UL	Amp.	Fuse	Size	Connection	Front operation			Front operation			
					3P	3P+N <sup>(1)</sup>	3P+DN (detachable neutral)	Direct handle	Standard		Emergency
									External handle (shaft included)		ON-OFF TEST
					Code	Code	Code	Code	L	ON-OFF Code	ON-OFF TEST Code
30	J21x57	00	00	M3-00303PBJ300L	M3-00303NB300L	M3-00303DBJ300L	DM3SIB1	177 (mm) 6.96 (inch)	DM3SAB2	DM3SAB1	
									DM3SRB2	DM3SRB1	
									DM3SAB2	DM3SAB1	
									DM3SRB2	DM3SRB1	
60	J27x60	0	0	M3-00603PTJ400L	M3-00603NTJ400L	M3-00603DTJ400L	DM3SIB1	177 (mm) 6.96 (inch)	DM3SAB2	DM3SAB1	
									DM3SRB2	DM3SRB1	
									DM3SAB2	DM3SAB1	
									DM3SRB2	DM3SRB1	
100	J29x117	1	0	M3-01003PSJ500L	M3-01003NSJ500L	M3-01003DSJ500L	DM3SI11	227 (mm) 8.93 (inch)	DM3SA12	DM3SA11	
									DM3SR12	DM3SR11	
									DM3SA12	DM3SA11	
									DM3SR12	DM3SR11	
200	J41x146	1	0	M3-02003PSJ600L	M3-02003NSJ600L	M3-02003DSJ600L	DM3SI11	227 (mm) 8.93 (inch)	DM3SA12	DM3SA11	
									DM3SR12	DM3SR11	
									DM3SA12	DM3SA11	
									DM3SR12	DM3SR11	

<sup>(1)</sup> Neutral pole early make & late break.  
<sup>(2)</sup> With the side handle code, the auxiliary contacts holder is included (DM3AMB1/DM3AM11), as it is required for installation.  
<sup>(3)</sup> To be used as signaling or control contacts. Ie = 0.1A at 125 VAC and 0.1A at 30 VDC (resistive loads)  
 This code includes just an individual auxiliary contact (1 pc per package), so it is necessary to order as many pcs as it would be needed of any type of contact.



Size	Side operation <sup>(2)</sup>				Auxiliary contacts <sup>(3)</sup> (1 unit)	Auxiliary contacts holder		Shaft extensions		Phase barriers		Terminal shrouds <sup>(4)</sup>	
	Direct handle	Standard		Emergency		Early make contacts	Simultaneous contacts	L mm inch	Code	P	Code		
		External handle (shaft included)		ON-OFF TEST									
	Code	L	ON-OFF Code	ON-OFF TEST Code		Code	Code	Code	Code	Code	Code		
00	DM3SSB1	177 (mm) 6.96 (inch)	DM3SBB2	DM3SBB1	DM3AUB1	DM3AMB1	DM3ASB1	250 9.84	DM3EP01	-	-	-	
			DM3SEB2	DM3SEB1				387 15.23					DM3EP02
0	DM3SSB1	177 (mm) 6.96 (inch)	DM3SBB2	DM3SBB1	DM3AUB1	DM3AMB1	DM3ASB1	250 9.84	DM3EP01	3P	* <sup>(5)</sup>	DM3CU020L	
			DM3SEB2	DM3SEB1				387 15.23		DM3EP02		3P+N	DM3CU030L
1	DM3SS11	227 (mm) 8.93 (inch)	DM3SB12	DM3SB11	DM3AUB1	DM3AM11	DM3AS11	375 14.76	DM3EP11	3P	DM3SF12	DM3CU12	
			DM3SE12	DM3SE11				536 21.10		DM3EP12	3P+N	DM3SF13	DM3CU13
			DM3SB12	DM3SB11				536 21.10			DM3EP12	DN	-
			DM3SE12	DM3SE11				536 21.10		DM3EP12		DN	-

<sup>(4)</sup> One set for input or output.  
<sup>(5)</sup> In this size the device (UL) includes directly the phase barriers.  
<sup>(6)</sup> This code only includes the terminal shrouds for the detachable neutral pole, it is necessary to order the code for 3P terminal shrouds as well: DM3CU020L or DM3CU12.

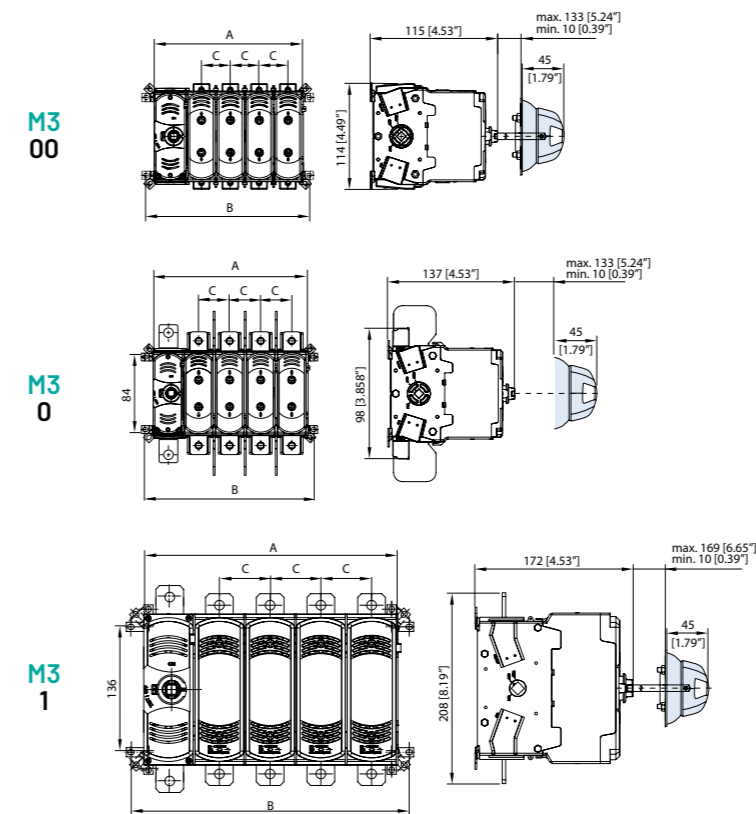
► TECHNICAL DATA

UL98B		00		0		1				
		30 A		60 A		100 A		200 A		
Fuse type		J 21x57		J 27x60		J 29x117		J 41x146		
Ratings	Rated Thermal current	A		30	60	100	200			
	General purpose amp rating	600		A	30	60	100	200		
	Max. Operating voltage	Vac		600						
	Max. HP rating / motor FLA current	3 Phase	240	Vac	7,5/22	15/42	30/80	50/130		
	480		Vac	15/21	30/40	60/77	100/124			
		600	Vac	20/22	50/52	75/77	125/125			
	Short-circuit rating at 600Vac	kA		200						
Mechanical endurance	Minimum number of mechanical operations	10000		10000		8000				
	Number of electrical operations	6000								

► CONNECTION RANGE

Size	lth	Wire range	Busbar (Max)	Tightening torque
		Flange	Terminal	
		AWG	mm	lb-inch
00	30A	#10-2	-	17.7
0	60A	#6%	20	53
1	100A	#3AWG-300kcmil	30	159
	200A	#3/0AWG-300kcmil	30	159

► DIMENSIONAL DRAWINGS



J	30A	mm	A		B		C
			3P	3P+N	3P	3P+N	
		mm	132	163	145	176	31
		inch	5.19"	6.41"	5.73"	6.95"	1.23"

J	60A	mm	A		B		C
			3P	3P+N	3P	3P+N	
		mm	146	182	160	196	36
		inch	5.74"	7.15"	6.31"	7.73"	1.42"

J	100A 200A	mm	A		B		C
			3P	3P+N	3P	3P+N	
		mm	223	278	247	302	55
		inch	8.81"	10.97"	9.72"	11.89"	2.57"

\* 3P+DN dimensions are the same as the 3P

► CIF SERIES | METAL SHEET ENCLOSED | 50 A - 800 A



**GENERAL CHARACTERISTICS**

- DIN, NFC and BS fuses.
- IP65 protection degree.
- Wall mounting.
- RAL 7035.
- 3P & 3P+N versions.



Amp.	Fuse	Size	Connection	Series	3P Code	3P+N <sup>(1)</sup> Code	Enclosure dimensions	Auxiliary contacts <sup>(2)</sup> 1NO+1NC Code	Cable entry	Fixing brackets	Cubrebornes <sup>(3)</sup>	
											3P	3P+N
											Code	Code
50	14x51	00	M3	M3	CIF23C00503PBC2	CIF23C00503NBC2	300x300x200	DM3AUB1	125x215	20105079	-	-
63	NH000				CIF23C00633PBD2	CIF23C00633NBD2	300x300x200	DM3AUB1	125x215	20105079	-	-
100	22x58				CIF23C01003PBC3	CIF23C01003NBC3	300x300x200	DM3AUB1	125x215	20105079	-	-
100	NH000				CIF23C01003PBD3	CIF23C01003NBD3	300x300x200	DM3AUB1	125x215	20105079	-	-
125	22x58	0	M3	M3	CIF23C01253PTC3	CIF23C01253NTC3	400x400x200	DM3AUB1	125x285	20105079	DM3CU02	DM3CU03
125	NH00				CIF23C01253PTD4	CIF23C01253NTD4	400x400x200	DM3AUB1	125x285	20105079	DM3CU02	DM3CU03
160	NH00				CIF23C01603PTD4	CIF23C01603NTD4	400x400x200	DM3AUB1	125x285	20105079	DM3CU02	DM3CU03
250	NH1				1	M3	CIF23C02503PSD5	CIF23C02503NSD5	600x400x250	D5LAU01	485x125	20105079
400	NH2	3	M21	M21	CIF22C04003PSD2	CIF22C04003NSD2	800x600x260	D5LAU01	485x125	20105079	DM3CU22 <sup>(4)</sup>	DM2CU23
630	NH3				CIF22C06303PSD3	CIF22C06303NSD3	1000x600x260	D5LAU01	485x125	20105079	DM3CU32 <sup>(4)</sup>	DM2CU33
800	NH3				M21	CIF22C08003PSD3	CIF22C08003NSD3	1000x600x260	D5LAU01	485x125	20105079	DM3CU32 <sup>(4)</sup>

<sup>(1)</sup> Neutral pole early make & late break. Also available (M3) 4P & 3P+DN / (M21)- 4P & 3P+FN under request.

<sup>(2)</sup> To be used as signaling or control contacts – I<sub>e</sub> = 0.1A at 125 VAC and 0.1A at 30 VDC (resistive loads) (M3) / I<sub>e</sub> = 16A (resistive loads) 4A (inductive loads) at 250 Vac (M21). Whilst closing, it closes after the main contacts. Whilst opening, it opens before the main contacts.

<sup>(3)</sup> One set for input or output.

<sup>(4)</sup> Output.

► CIF SERIES | POLYESTER ENCLOSED | 50 A - 250 A



Amp.	Fuse	Size	Connection	Series	3P Code	3P+N <sup>(1)</sup> Code	Enclosure dimensions	Auxiliary contacts <sup>(2)</sup> 1NO+1NC Code	Fixing brackets	Terminal shrouds <sup>(3)</sup>	
										3P	3P+N
										Code	Code
50	14x51	00	M3	M3	CIF23P00503PBC2	CIF23P00503NBC2	400x300x200	DM3AUB1	20105085	-	-
63	NH000				CIF23P00633PBD2	CIF23P00633NBD2	400x300x200	DM3AUB1	20105085	-	-
100	22x58				CIF23P01003PBC3	CIF23P01003NBC3	400x300x200	DM3AUB1	20105085	-	-
100	NH000				CIF23P01003PBD3	CIF23P01003NBD3	400x300x200	DM3AUB1	20105085	-	-
125	22x58	0	M3	M3	CIF23P01253PTC3	CIF23P01253NTC3	400x400x200	DM3AUB1	20105085	DM3CU02	DM3CU03
125	NH00				CIF23P01253PTD4	CIF23P01253NTD4	400x400x200	DM3AUB1	20105085	DM3CU02	DM3CU03
160	NH00				CIF23P01603PTD4	CIF23P01603NTD4	400x400x200	DM3AUB1	20105085	DM3CU02	DM3CU03
250	NH1				1	M3	CIF23P02503PSD5	CIF23P02503NSD5	600x400x230	DM3AUB1	20105085



Telergon, SAU  
Ctra. Castellón – Pol. La Cartuja  
50720 La Cartuja Baja  
Zaragoza, Spain



Tel. +34 976 500 876  
info@telergon.com  
www.telergon.com