

S7 SERIES

High performance switch-disconnector

1500V
DC



Maximized electrical performance

Effective breakdown: rotary, double per pole and at high-speed.

The lowest power losses in the market.



High safety level

Powerful spring mechanism and movable magnets that improve arc extinction.



Suitable for extreme environments

High temperature withstand, with no derating up to 70 °C.



Versatile operation & Compact design

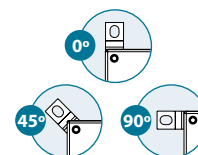
Possibility of front or side operation. It is compatible with a wide range of accessories.

Up to 500A - 1500 Vdc in a 2 pole device with a small footprint.



Longer life

Fast breaking capacity helps to reduce the contact wear and, consequently, ensures a longer life.



Easy to install

A reduced footprint, multiple mounting configurations and a non-polarized wiring all help to reduce installation time and space.

S7

PATENTED TECHNOLOGY

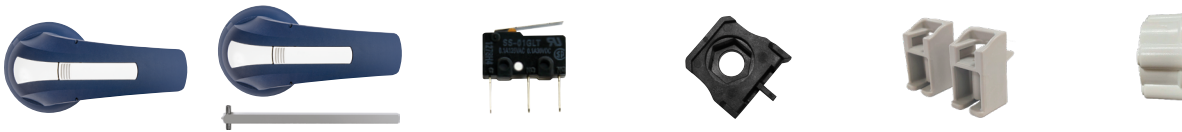
A new **high performance switch-disconnector** capable of reaching **500 A - 1500 Vdc** (750 Vdc per pole): **the S7**.

Based on years of research by our R&D team, S7 offers optimised performance and increased safety. Thanks to our **patented magnetic blow-out technology** and powerful movable magnets, a rotating magnetic field is created to improve arc extinction.

▶ RANGE

Standard	Amperage (A)	Connection	Frontal operation	Side operation
			Code	Code
IEC60947-3 (DC-21B)	160	30 mm 35 mm (500 A)	S7-01602PS0	S7-01602PSL
	200		S7-02002PS0	S7-02002PSL
	250		S7-02502PS0	S7-02502PSL
	315		S7-03152PS0	S7-03152PSL
	400		S7-04002PS0	S7-04002PSL
UL98B	500	30 mm (1.18") 35 mm (500 A) (1.38")	S7-05002PS0	S7-05002PSL
	250		S7-02502PS00L	S7-02502PSL0L
	320		S7-03202PS00L	S7-03202PSL0L
	400		S7-04002PS00L	S7-04002PSL0L
	500		S7-05002PS00L	S7-05002PSL0L

▶ ACCESSORIES



Direct handle	External handle (227mm* ¹ shaft included)	Auxiliary contacts 1NO + 1NC		Captive nut * ²		Spacer Fixing Brackets	Shaft guide * ³
		1 unit	2 units	M10	M12		
Code	Code	Code	Code	Code	Code	Code	Code
DS-SI11	DS-SA11	DM-AU11	DM-AU12	DM-PT11	DM-PT12	DM-EL11	DS-EC00

*¹ For longer shafts please consult. Valid for frontal and side operation.

*² IEC only.

*³ The use of the shaft guide DS-EC00 is necessary for shaft extension.

▶ TECHNICAL DATA

IEC 60947-3 (DC-21B)



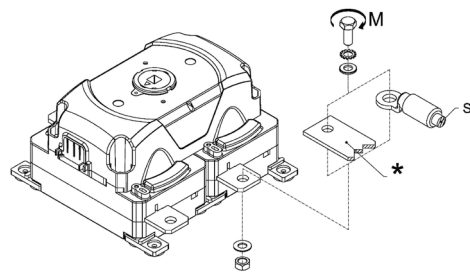
160 A - 500 A
Without derating up to 70° C
Ui 1500Vdc / Uimp 12 kV
Rated short-circuit making capacity 10 kA (peak)
Fuse protected shortcircuit withstand
(gBat fuse): 120kA*

*Maximum peak let through current: 20 kA

UL98B



250 A - 500 A
Rating 1500 Vdc
Short-circuit rating 10 kA



▶ CONNECTION CAPACITY



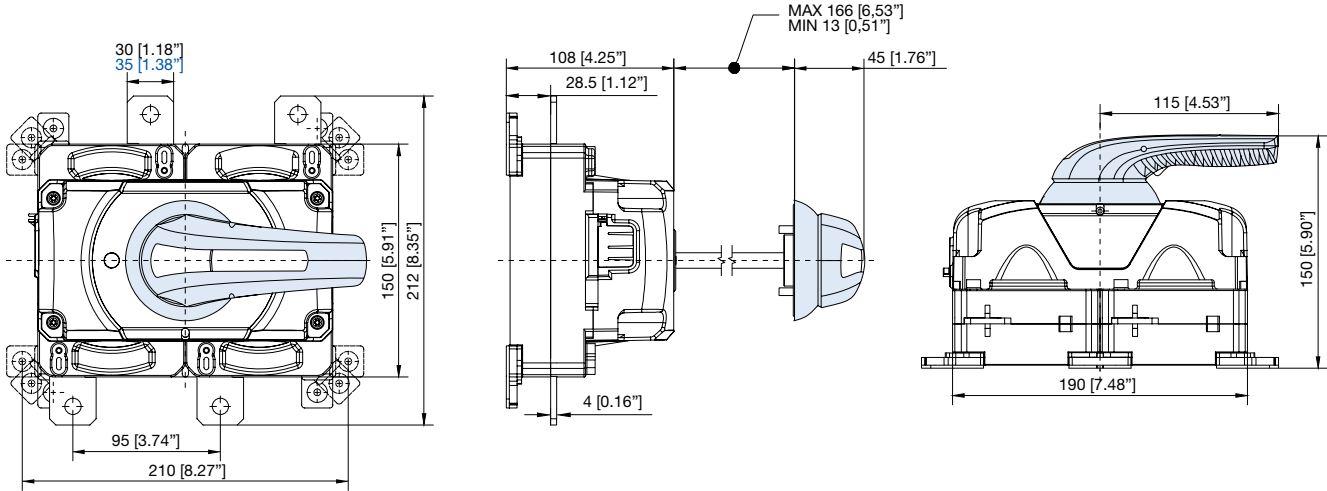
	Amperage (A)	S min	H min	L min	T	M ^{+5%} -10%
		mm ²	Qty x mm	mm		Nxm
According to IEC 60947-3	160	70	1x3	25	M10	18
	200	95	1x3	30		
	250	120	1x4	30		
	315	185	2x3	30		
	400	240	2x4	30		
	500	300	2x4	35	M12	24

	Amperage (A)	H min	L min	T	M ^{+5%} -10%
		Qty x in	in		lbfin
According to UL98B	250	1x13/64	1-1/4	M10	159
	320	1x13/64	1-37/64		
	400	2x5/32	1-1/4		
	500	2x13/64	1-1/4	M12	212

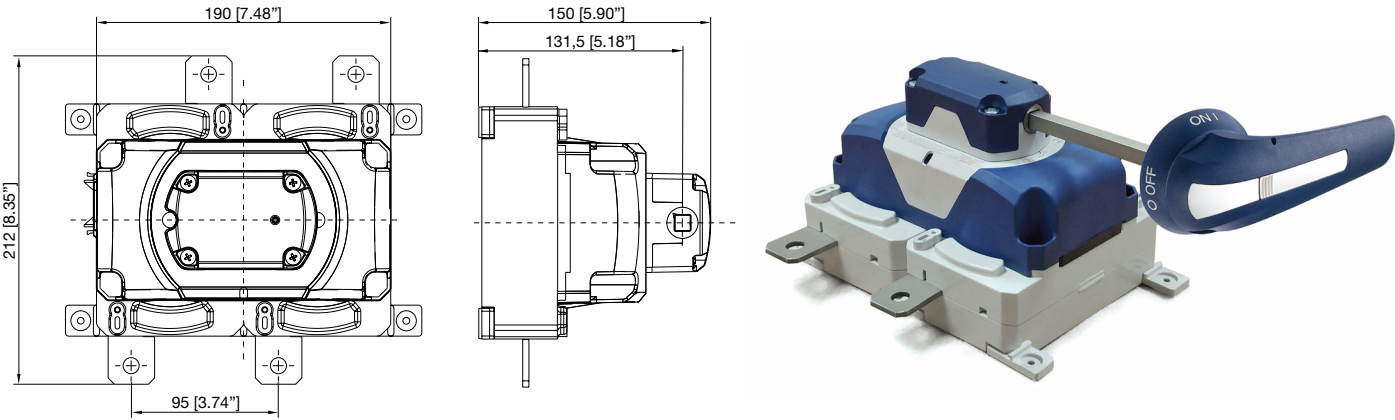
*30 or 35 mm terminal size is available for different amperages on request, please consult us.

► DIMENSIONS

FRONTAL OPERATION



SIDE OPERATION



Telergon, S.A.U.
Ctra. Castellón (Pol. La Cartuja)
50720 La Cartuja Baja
Zaragoza / Spain



Tel. +34 976 500 876
info@telergon.com
www.telergon.com

