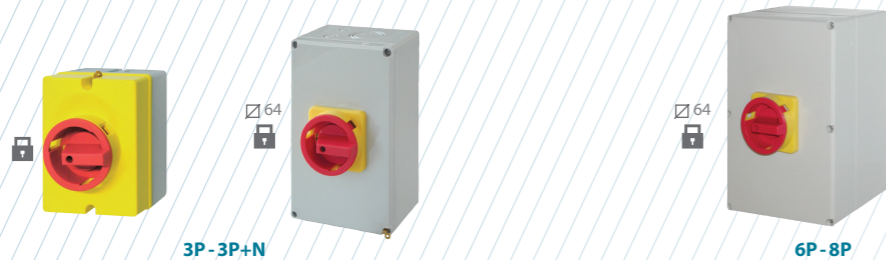


ZBK Switch plastic enclosure padlockable handle IP66

Size 0
A 20|25|40|63|80|125

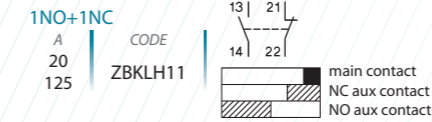


	CODE-20A	CODE-25A	CODE-40A	CODE-63A	CODE-80A	CODE-125A
3P	ZBK20PFHN4A3	ZBK25PFHN4A3	ZBK40PFHN4A3	ZBK63PFLHN4A3	ZBK80PFLHN4A3	ZBK125PFLHN4A3
3P + N	ZBK20PFHN4A4	ZBK25PFHN4A4	ZBK40PFHN4A4	ZBK63PFLHN4A4	ZBK80PFLHN4A4	ZBK125PFLHN4A4
6P	-	ZBK25PFLHN4A6	ZBK40PFLHN4A6	-	ZBK80PFLHN4A6	-
8P	-	ZBK25PFLHN4A8	ZBK40PFLHN4A8	-	ZBK80PFLHN4A8	-

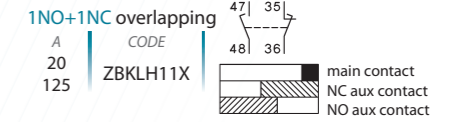
Accessories



>> Auxiliary contacts ^{*(a1)}



>> Auxiliary contacts ^{*(a1)}

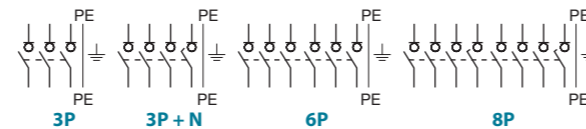


Auxiliary contacts technical information

Rated insulation voltage	Ui	V	690
Rated thermal current	Ith - Ithe	A	10
Switching capacity	AC15	220-240V	A 2,5
	AC15	380-440V	A 1,5
Rated conditional short-circuit current		kAeff	3
Max. short circuit protection	gL(gG)	A	10

Connecting capacity		
Solid or stranded cable	mm ²	0,75-2,5
	AWG	14-12
Flexible cable (+ multicore cable end)	mm ²	0,75-2,5 (1,5)
	AWG	18-14

Technical information



According to VDE 0660, IEC 60947-3, IEC 60947-5-1

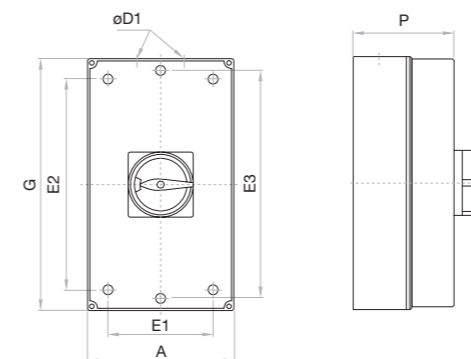
			20	25	40	63	80	125
Rated thermal current	Ith	A	20	25	40	63	80	125
Rated thermal current enclosed	Ithe	A	20	25	40	63	80	110
Rated insulation voltage	Ui	V	690	690	690	690	690	1000
Rated impulse withstand voltage	Uimp	kV	6	6	6	6	6	8
AC rated operational current	Ie	AC21A	A 20	25	40	63	80	125
Making capacity	Ieff	3x380-440V	A 160	190	300	370	440	850
Breaking capacity		3x220-240V	A 160	180	250	330	380	680
		3x380-440V	A 160	180	250	330	380	680
		3x660-690V	A 80	110	170	190	220	420
Direct switching motors	AC3	3x400V	A 12	16	30	37	37	72
	AC3	3x220-240V	kW 3	4	7,5	11	11	22
		3x380-440V	kW 5,5	7,5	15	18,5	18,5	37
		3x660-690V	kW 5,5	7,5	15	18,5	18,5	30
Main & safety switch	AC23	3x400V	A 16	20	32	45	45	85
	AC23A	3x220-240V	kW 4	5,5	9	15	15	30
	AC23B	3x380-440V	kW 7,5	10	16	22	22	45
		3x660-690V	kW 5,5	7,5	15	18,5	18,5	37
Rated conditional short-circuit current		kAeff	10	10	10	10	10	
Max. fuse size	gL(gG)	A	25	35	50	63	80	125
Rated short-time withstand current (1sec.)	Icw	A	250	300	500	600	850	1500
Mechanical life	x10 ³		200	200	200	100	100	100
Connecting capacity								
Solid or stranded cable	mm ²		0,5-10		1-25 ^{*(1)}		4-50	
	AWG		20-8 (10)		16-4 (10)		10-0 (10)	
Flexible cable	mm ²		0,5-6		4-16 ^{*(1)}		10-35	
	AWG		20-10		16-6		8-2	
Size of terminal screw			M3,5		M5		M6	
Tightening torque	Nm		0,8-1,7		2-4		3,5-4,5	

According to UL & cUL FILE NO. E123623

			20	25	40	63	80	125
Rated voltage	V		600	600	600	600	600	600
Ampere-Rating "General use"	A		20	25	40	63	80	125
DOL-Rating 3-phase	HP	110-220V	1	1,5	2	3	5	15
	HP	220-240V	3	5	5	10	10	30
	HP	440-480V	7,5	10	10	20	20	60
	HP	550-600V	10	10	15	25	25	60
	HP	110-120V	1	1	1	2	2	7,5
DOL-Rating 1-phase	HP	200-208V	1	2	2	3	3	10
	HP	220-240V	2	2	3	5	5	15
	A	5kA / 600V	40	50	70	90	110	125
Tightening torque	Nm		1,2-2,3	1,2-2,3	1,2-2,3	2,8-4	2,8-4	1,7-4,5
	lb.Inch		11-20	11-20	11-20	24-35	24-35	15-40

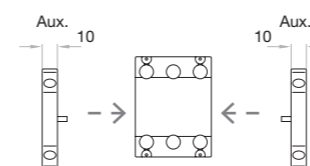
^{*(1)} ZBK63 U stranded 16 mm² / flexible 10 mm²

Dimensions (mm)



		A	D1	E1	E2	E3	G	P
20-40 A	3/4P	98	2 x 25,5/20,5/16,5/12,5	75	150	170	180	76
63-125 A	3/4P	140	40,5/32,5 + 16,5 + 12,5	100	160	188,5	200	86
25-40 A	6P	140	40,5/32,5 + 16,5 + 12,5	100	160	188,5	200	86
25-40 A	8P	176	2x40,5 / 32,5	120	200	228,5	240	120
80 A	6/8P	176	2x40,5 / 32,5	120	200	228,5	240	120

Auxiliary contacts ^{*(a1)}



^{*(a1)} Standard enclosure capacity swit + 1 aux.
For other needs please consult.

>> Other options also available on request:
- Changeovers
- Black/grey handle