

ZBK Switch & changeover

DIN rail mounting modular padlockable handle IP40

3P - 3P+N - 6P - 8P

Size 0

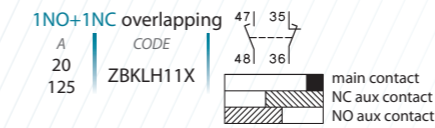
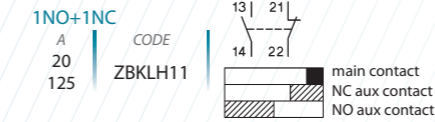
A 20|25|40|63|80|125



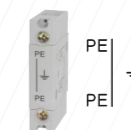
	CODE-20A	CODE-25A	CODE-40A	CODE-63A	CODE-80A	CODE-125A
Switch	3P	ZBK20SMAHN1A3	ZBK25SMAHN1A3	ZBK40SMAHN1A3	ZBK63SMAHN1A3	ZBK80SMAHN1A3
	3P+N	ZBK20SMAHN1A4	ZBK25SMAHN1A4	ZBK40SMAHN1A4	ZBK63SMAHN1A4	ZBK80SMAHN1A4
	3P	ZBK20SMAH1A3	ZBK25SMAH1A3	ZBK40SMAH1A3	ZBK63SMAH1A3	ZBK80SMAH1A3
	3P+N	ZBK20SMAH1A4	ZBK25SMAH1A4	ZBK40SMAH1A4	ZBK63SMAH1A4	ZBK80SMAH1A4
	6P	-	ZBK25SMAHN1A6	ZBK40SMAHN1A6	-	ZBK80SMAHN1A6
	8P	-	ZBK25SMAHN1A8	ZBK40SMAHN1A8	-	ZBK80SMAHN1A8
Changeover	3P+N	ZBK20SMAH1U4	ZBK25SMAH1U4	ZBK40SMAH1U4	ZBK63SMAH1U4	-

Accessories

Auxiliary contacts



PE - Terminal



CODE
ZBKPE80V

N - Fixed neutral



CODE
ZBKPEN80V

Auxiliary contacts technical information

Rated insulation voltage	Ui	V	690
Rated thermal current	Ith - Ithe	A	10
Switching capacity	AC15	220-240V	A 2,5
	AC15	380-440V	A 1,5
Rated conditional short-circuit current	kAeff	3	
Max. short circuit protection	gL(gG)	A	10

Connecting capacity		
Solid or stranded cable	mm ²	0,75-2,5
	AWG	14-12
Flexible cable (+ multicore cable end)	mm ²	0,75-2,5 (1,5)
	AWG	18-14

Technical information



According to VDE 0660, IEC 60947-3, IEC 60947-5-1

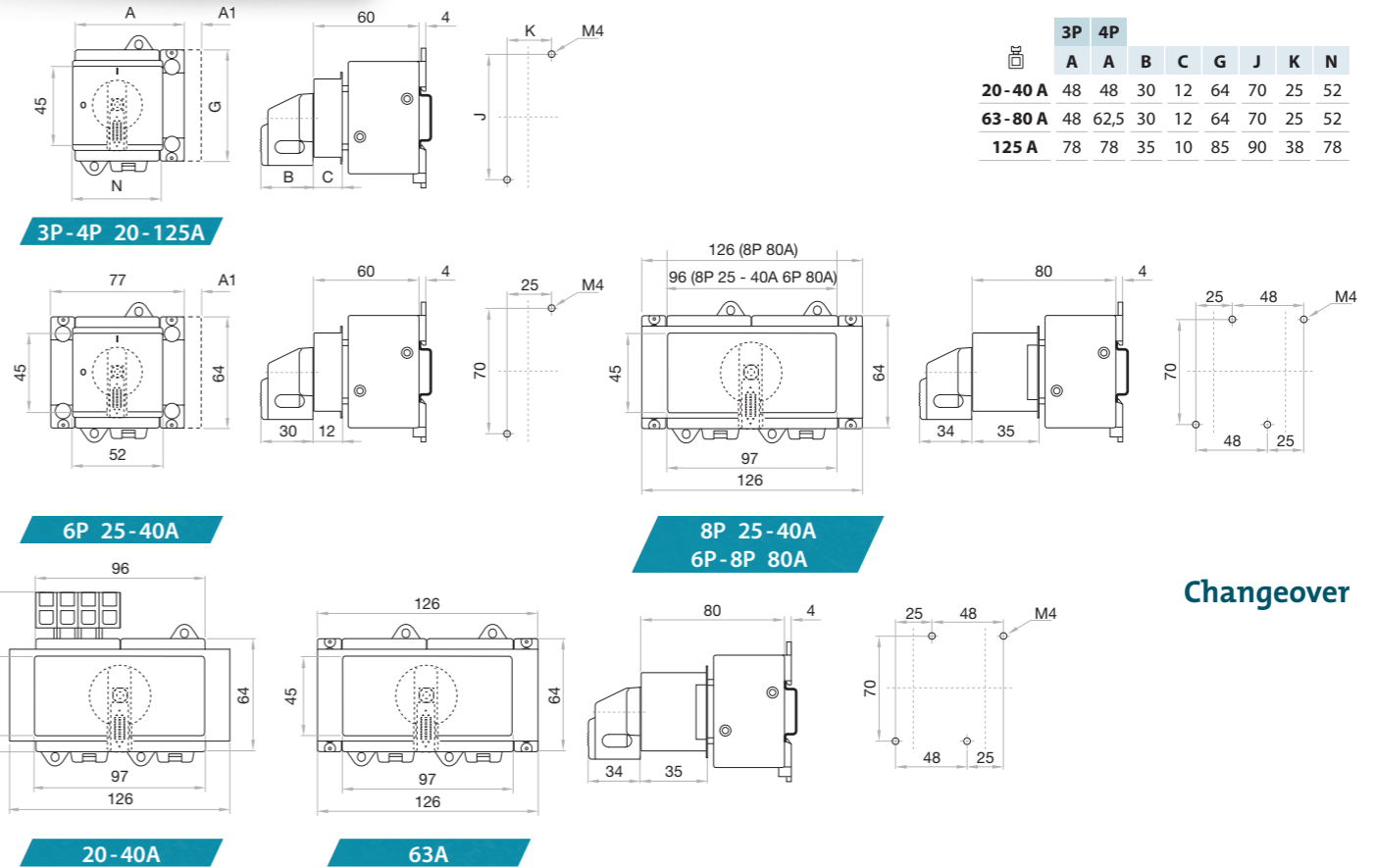
		20	25	40	63	80	125	
Rated thermal current	Ith	20	25	40	63	80	125	
Rated thermal current enclosed	Ithe	20	25	40	63	80	110	
Rated insulation voltage	Ui	690	690	690	690	690	1000	
Rated impulse withstand voltage	Uimp	6	6	6	6	6	8	
AC rated operational current	Ie	20	25	40	63	80	125	
Making capacity	Ieff	3x380-440V	160	190	300	370	440	850
		3x220-240V	160	180	250	330	380	680
Breaking capacity	Ieff	3x380-440V	160	180	250	330	380	680
		3x660-690V	80	110	170	190	220	420
Direct switching motors	AC3	3x400V	12	16	30	37	37	72
		3x220-240V	3	4	7,5	11	11	22
		3x380-440V	5,5	7,5	15	18,5	18,5	37
		3x660-690V	5,5	7,5	15	18,5	18,5	30
		3x400V	16	20	32	45	45	85
Main & safety switch	AC23A	3x220-240V	4	5,5	9	15	15	30
		3x380-440V	7,5	10	16	22	22	45
		3x660-690V	5,5	7,5	15	18,5	18,5	37
Rated conditional short-circuit current	kAeff	10	10	10	10	10	10	
Max. fuse size	gL(gG)	A 25	35	50	63	80	125	
Rated short-time withstand current (1sec.)	Icw	A 250	300	500	600	850	1500	
Mechanical life	x10 ³	200	200	200	100	100	100	
Connecting capacity								
Solid or stranded cable	mm ²	0,5-10		1-25 ^{*(1)}		4-50		
	AWG	20-8 (10)		16-4 (10)		10-0 (10)		
Flexible cable	mm ²	0,5-6		4-16 ^{*(1)}		10-35		
	AWG	20-10		16-6		8-2		
Size of terminal screw		M3,5		M5		M6		
Tightening torque	Nm	0,8-1,7		2-4		3,5-4,5		

According to UL & cUL FILE NO. E123623

		20	25	40	63	80	125
Rated voltage	V	600	600	600	600	600	600
Ampere-Rating "General use"	A	20	25	40	63	80	125
DOL-Rating 3-phase	110-220V	HP 1	1,5	2	3	5	15
	220-240V	HP 3	5	5	10	10	30
	440-480V	HP 7,5	10	10	20	20	60
	550-600V	HP 10	10	15	25	25	60
	110-120V	HP 1	1	1	2	2	7,5
DOL-Rating 1-phase	200-208V	HP 1	2	2	3	3	10
	220-240V	HP 2	2	3	5	5	15
	Manual Motor Controller	A 40	50	70	90	110	125
5kA / 600V	Motor Disconnect	A 40	50	50	70	70	125
Tightening torque	Nm	1,2-2,3	1,2-2,3	1,2-2,3	2,8-4	2,8-4	1,7-4,5
	lb.Inch	11-20	11-20	11-20	24-35	24-35	15-40

^{*(1)} ZBK63 U stranded 16 mm² / flexible 10 mm²

Dimensions (mm)



Switch

	3P		4P		6P		8P		125A	
	A	A	B	C	G	J	K	N		
20-40 A	48	48	30	12	64	70	25	52		
63-80 A	48	62,5	30	12	64	70	25	52		
125 A	78	78	35	10	85	90	38	78		

Changeover

- Other options also available on request:
- Terminal shrouds
- Changeoveres de 3P