



S6N DC

Switch - disconnecter for DC current 2P

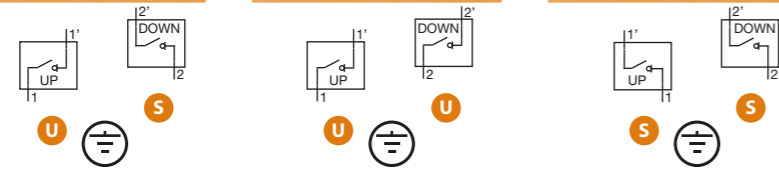
Size 1

A 125|160|200|250|315|400

1500Vdc



Current (A)	Code	Code	Code
125A	S6N0125USS0	S6N0125UUS0	S6N0125SSS0
160A	S6N0160USS0	S6N0160UUS0	S6N0160SSS0
200A	S6N0200USS0	S6N0200UUS0	S6N0200SSS0
250A	S6N0250USS0	S6N0250UUS0	S6N0250SSS0
315A	S6N0315USS0	S6N0315UUS0	S6N0315SSS0
400A	S6N0400USD0	S6N0400UUD0	S6N0400SSD0



Technical information



CONSULT FOR GROUNDED INSTALLATIONS

According to IEC 60947-1
IEC 60947-3

Rated thermal current in ambient at	lth	40°C	A						
			125	160	200	250	315	400	
Rated insulation voltage (DC)	Ui	V	1500	1500	1500	1500	1500	1500	
	Rated impulse withstand voltage	Uimp	kV	12	12	12	12	12	
		Rated operational current ⁽¹⁾	Ue	1500Vdc	A	125	160	200	250

Short - circuit behaviour

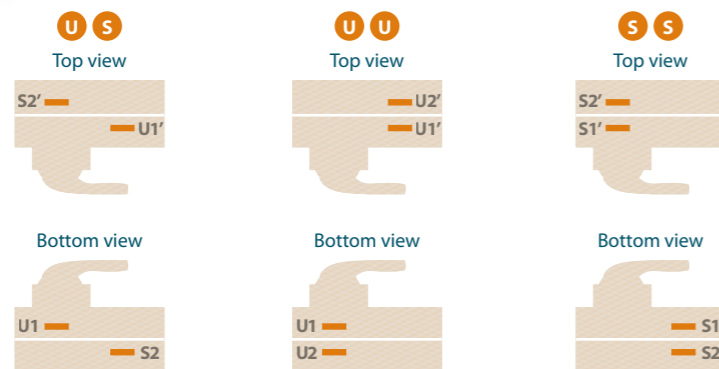
Rated short-circuit making capacity ⁽²⁾	lcm	kA (peak)	10
Rated short-time withstand current (1sec)	lcw	kA rms	10

Mechanical features

Number of mechanical operations (according to the standards, for other values please consult)	Cycles	8000
Maximum weight	kg	4,25

⁽¹⁾ Other voltages and / or utilization categories. Please consult
⁽²⁾ Without limiting protective device (short-circuit maintained 50... 100 ms.)

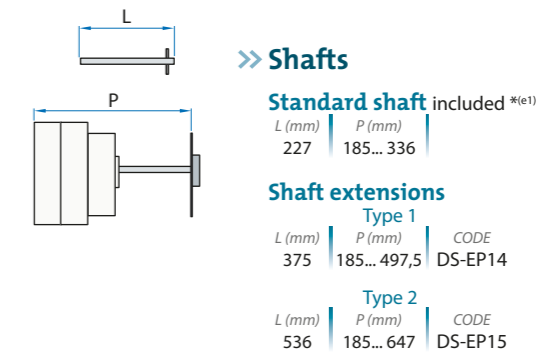
Terminals location



Accessories

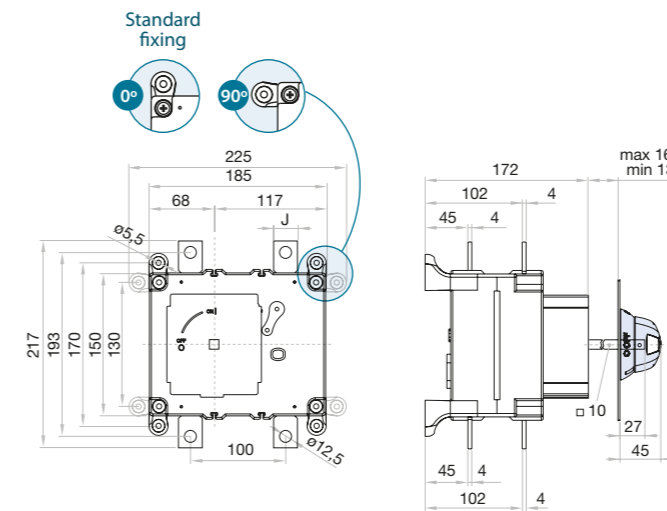
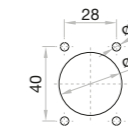
- Direct handle**
CODE DS-SI11
- External handle** included shaft ^(e1)
IP65
CODE DS-SA11
- External handle** without shaft
IP65
CODE DS-SA14

- Auxiliary contacts**
1NO+1NC CODE D5LAU01
2NO+2NC CODE D5LAU02
Ie = 16 A (resistive loads)
4 A (inductive loads) at 250 Vac.

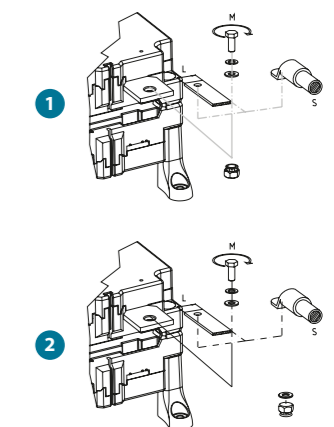


Dimensions (mm)

Door drilling for external handle



For rotated mounting there are **S6N** references with front plate rotated (supply under request).



J	S max (Cu)				H max (Cu)		L max (Cu)		M	
	mm ²	mm	mm	mm	mm	mm	M	Nxm		
125 A	185	8	25	M10	18					
160 A	185	8	25	M10	18					
200 A	185	8	25	M10	18					
250 A	185	8	25	M10	18					
315 A	185	8	25	M10	18					
400 A	240	8	30	M10	18					

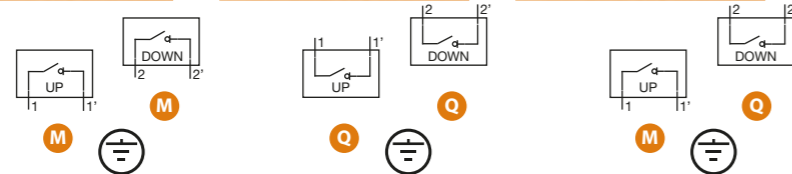
S6N DC

Switch - disconnecter for DC current 2P

Size 1
A 125|160|200|250|315|400
1500Vdc



Rated current	CODE - 1500 Vdc	CODE - 1500 Vdc	CODE - 1500 Vdc
125A	S6N0125MMS0	S6N0125QSQ0	S6N0125MQSQ0
160A	S6N0160MMS0	S6N0160QSQ0	S6N0160MQSQ0
200A	S6N0200MMS0	S6N0200QSQ0	S6N0200MQSQ0
250A	S6N0250MMS0	S6N0250QSQ0	S6N0250MQSQ0
315A	S6N0315MMS0	S6N0315QSQ0	S6N0315MQSQ0
400A	S6N0400MMD0	S6N0400QQD0	S6N0400MQD0



Technical information



According to IEC 60947-1
IEC 60947-3

Rated thermal current in ambient at	lth	40°C	A							
			125	160	200	250	315	400		
Rated insulation voltage (DC)	Ui	V	1500	1500	1500	1500	1500	1500		
			Rated impulse withstand voltage	Uimp	kV	12	12	12	12	12
			Rated operational current ⁽¹⁾	le	1500Vdc	A	125	160	200	250

CONSULT FOR GROUNDED INSTALLATIONS

Short - circuit behaviour

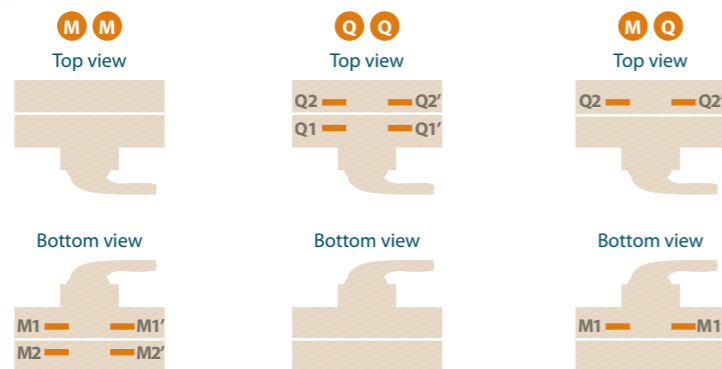
Rated short-circuit making capacity ⁽²⁾	lcm	kA (peak)	10
Rated short-time withstand current (1sec)	lcw	kA rms	10

Mechanical features

Number of mechanical operations (according to the standards, for other values please consult)	Cycles	8000
Maximum weight	kg	4,29

⁽¹⁾ Other voltages and / or utilization categories. Please consult
⁽²⁾ Without limiting protective device (short-circuit maintained 50... 100 ms.)

Terminals location



Accessories

Direct handle
CODE DS-SI1

External handle included shaft ^(e1)
IP65
CODE DS-SA11

External handle without shaft
IP65
CODE DS-SA14

Auxiliary contacts

1NO+1NC CODE D5LAU01
2NO+2NC CODE D5LAU02
Ie = 16 A (resistive loads)
4 A (inductive loads) at 250 Vac.

Shafts

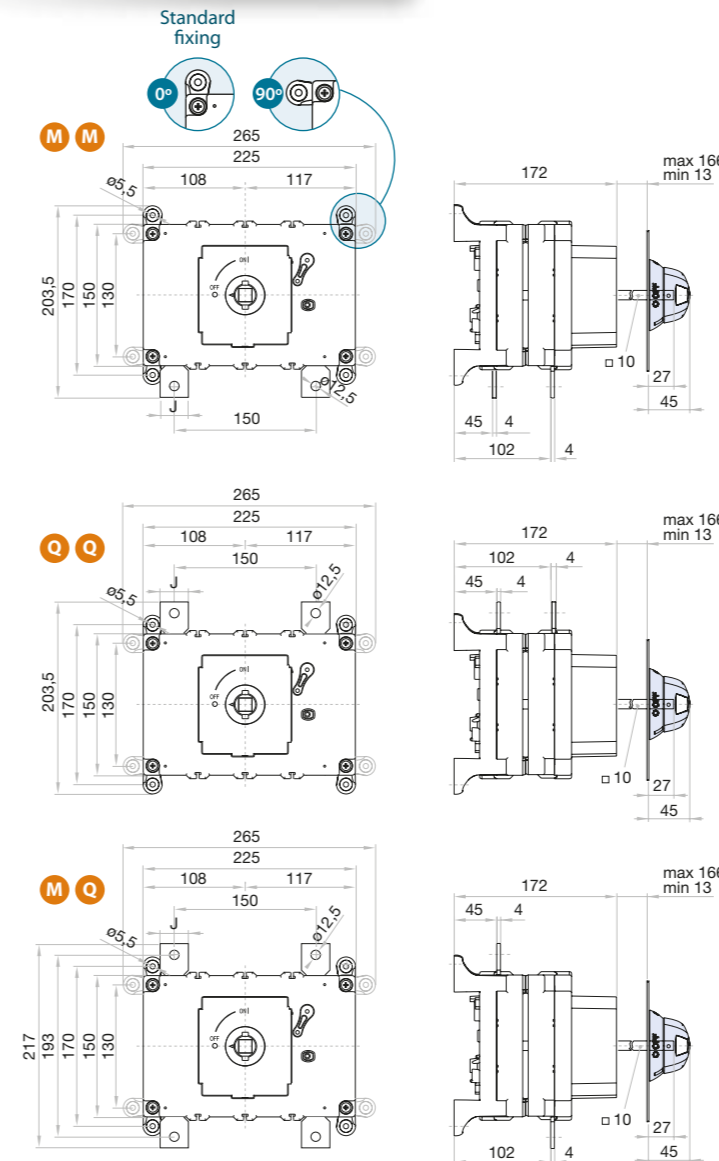
Standard shaft included ^(e1)
L (mm) | P (mm)
227 | 185... 336

Shaft extensions

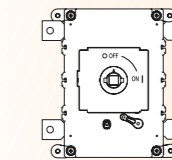
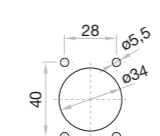
Type 1
L (mm) | P (mm) | CODE
375 | 185... 497,5 | DS-EP14

Type 2
L (mm) | P (mm) | CODE
536 | 185... 647 | DS-EP15

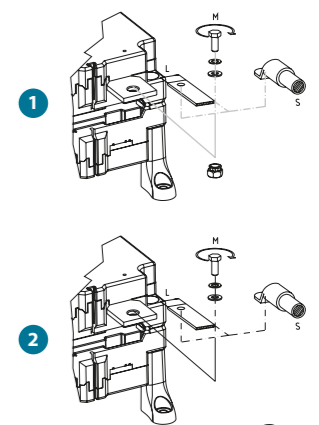
Dimensions (mm)



Door drilling for external handle



For rotated mounting there are **S6N** references with front plate rotated (supply under request).



J	S max (Cu) mm ²	H max (Cu) mm	L max (Cu) mm	M	
				T	Nxm
125 A	185	8	25	M10	18
160 A	185	8	25	M10	18
200 A	185	8	25	M10	18
250 A	185	8	25	M10	18
315 A	185	8	25	M10	18
400 A	240	8	30	M10	18