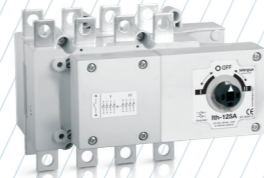
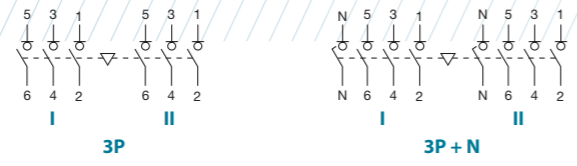


S5F Changeover switch base mounting 3P - 3P+N

Size 0
A 125|160|200



CODE-125A	CODE-160A	CODE-200A
3P S5F01253PS0	3P S5F01603PS0	3P S5F02003PS0
3P+N S5F01253NS0	3P+N S5F01603NS0	3P+N S5F02003NS0



Accessories

- Direct handle**
CODE D5LSI01
- External handle** included shaft*(e1)
IP65
CODE D5LLA01
- Shafts**
Standard shaft included *(e1)
L (mm) | P (mm) |
177 | 163... 250,5
- Shaft extensions**
Type 1
L (mm) | P (mm) | CODE
250 | 163... 323,5 | DS-EP04
Type 2
L (mm) | P (mm) | CODE
387 | 163... 460,5 | DS-EP05
- Auxiliary contacts**
1NO+1NC CODE S5F DS-AU11
2NO+2NC CODE S5F DS-AU12
Ie = 16 A (resistive loads)
4 A (inductive loads) at 250 Vac.

Terminal shrouds*(f)

UP 3P (1 unit)	DOWN 3P (1 unit)	UP OR DOWN 4P (1 unit)
DS-CU02	DS-CU03	DS-CU04
DS-CU05	DS-CU06	DS-CU07

(Only frontal side)

Phase barrier*(f)

3P	4P
DS-PB01	DS-PB02
DS-PB04	DS-PB03

(1 kit for input or output)
*(f) These accessories aren't compatible with each other

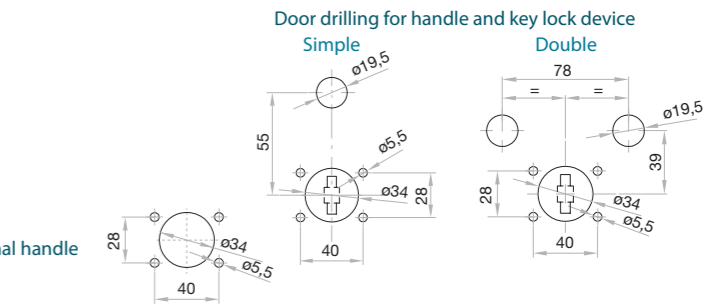
Bridging links

CODE D5LPC03 (4 units)

Safety key lock devices

Simple CODE D5LCBB1
Double CODE D5LCFB1

For external handle, lock the handle by means of a key in position "OFF" (under request, in "ON"), the key can only be removed with the handle locked



Technical information



According to IEC 60947-3

			125	160	200
Rated thermal current I _{th} in ambient at 40° C	A		125	160	200
Rated insulation voltage U _i	V		1000	1000	1000
Rated impulse withstand voltage U _{imp}	kV		8	8	8
AC Rated operational current ⁽¹⁾ (Rated operational frequency 50/60 Hz)	I _e	U _e 400V AC21A A	125	160	200
		U _e 400V AC22A A	125	160	200
		U _e 400V AC23A A	125	160	160

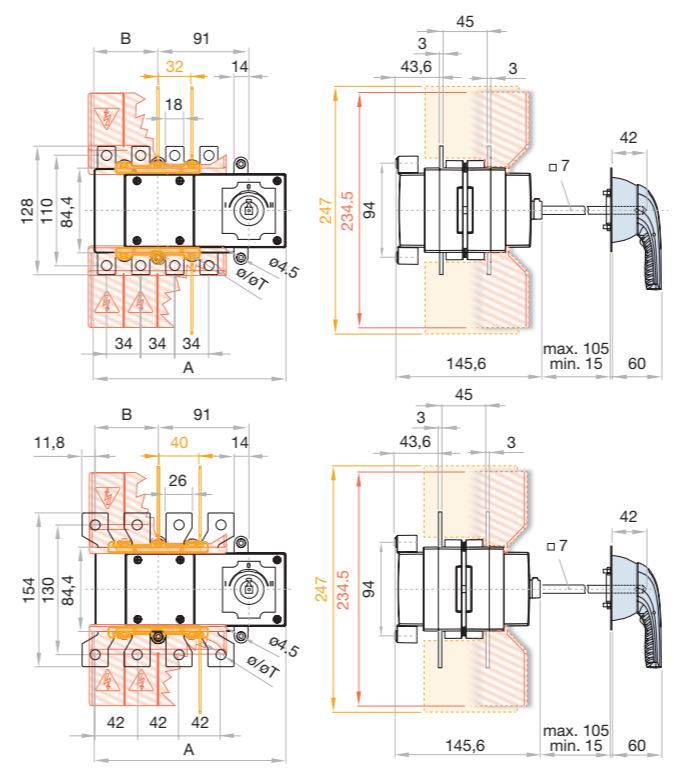
			125	160	200
Rated breaking capacity	400V AC22	A	375	480	600
Rated making capacity	400V AC22	A	375	480	600
Short - circuit behaviour					
Short - circuit making capacity ⁽²⁾ I _{cm}	kA (peak)		13	13	13
Short - time withstand current (1 sec.) I _{cw}	kA rms		7	7	7
Number of mechanical operations (according to the standards, for other values please consult)	Cycles		8000	8000	8000
Maximum weight (3/4 poles)	Kg		1,8/2,1	1,8/2,1	1,9/2,2

⁽¹⁾ Other voltages and / or utilization categories. Please consult
⁽²⁾ Without limiting protective device (short-circuit maintained 50 ms. - 100 ms.)



There are versions of changeover switches without OFF 0 position: S5F (I - II) = S5D _____, please consult
Also available 4P changeover switches under request, please consult

Dimensions (mm)



Door drilling for external handle

	A	B	ø T
125 A	181	192	53
160 A	181	192	53

S max (Cu)	H max (Cu)	L max (Cu)	T	M
95	5	25	M8	13

	A	B	ø T
200 A	181	192	53
	181	192	64

S max (Cu)	H max (Cu)	L max (Cu)	T	M
120	5	30	M10	18

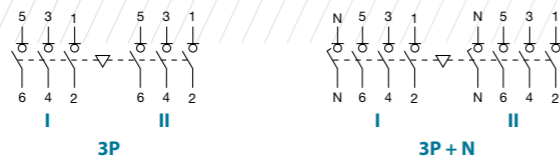


S5F Changeover switch base mounting 3P - 3P+N

Size 1
A 250|315|400



CODE-250A	CODE-315A	CODE-400A
3P S5F02503PRO	S5F03153PRO	S5F04003PCO
3P+N S5F02503NRO	S5F03153NRO	S5F04003NCO



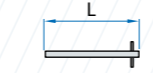
Accessories



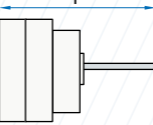
Direct handle
CODE D5LLI12



External handle included shaft^{*(e1)}
IP65
CODE D5LLA11



Shafts
Standard shaft included^{*(e1)}
L (mm) P (mm)
227 278... 426



Shaft extension
L (mm) P (mm) CODE
375 278... 574 DS-EP14



Terminal protection
CODE DS-CU12
(1 unit for input or output)



Terminal shrouds
CODE DS-CU11
(1 kit for input or output)



Bridging links
CODE DSLPC12 (4 units)



Auxiliary contacts
1NO+1NC CODE DS-AU11
2NO+2NC CODE DS-AU12
Ie = 16 A (resistive loads)
4 A (inductive loads) at 250 Vac.

Technical information

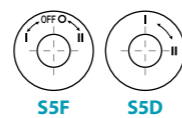


According to IEC 60947-3

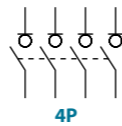
			250	315	400
Rated thermal current I _{th} in ambient at 40° C	A		250	315	400
Rated insulation voltage U _i	V		1000	1000	1000
Rated impulse withstand voltage U _{imp}	kV		8	8	8
AC Rated operational current ^{*(1)} (Rated operational frequency 50/60 Hz)	I _e U _e 400V AC21A	A	250	315	400
	U _e 400V AC22A	A	250	315	400
	U _e 400V AC23A	A	250	315	400

^{*(1)} Other voltages and / or utilization categories. Please consult
^{*(2)} Without limiting protective device (short-circuit maintained 50 ms. - 100 ms.)

			250	315	400
Rated breaking capacity	400V AC23	A	2000	2520	3200
Rated making capacity	400V AC23	A	2500	3150	4000
Short - circuit behaviour					
Short - circuit making capacity ^{*(2)}	I _{cm}	kA (peak)	20	20	20
Short - time withstand current (1 sec.)	I _{cw}	kA rms	12	12	12
Number of mechanical operations (according to the standards, for other values please consult)	Cycles		8000	8000	5000
Maximum weight (3/4 poles)		Kg	5,5/5,8	5,5/5,8	5,7/6



There are versions of changeover switches without OFF 0 position:
SSF (I - II) = SSD please consult

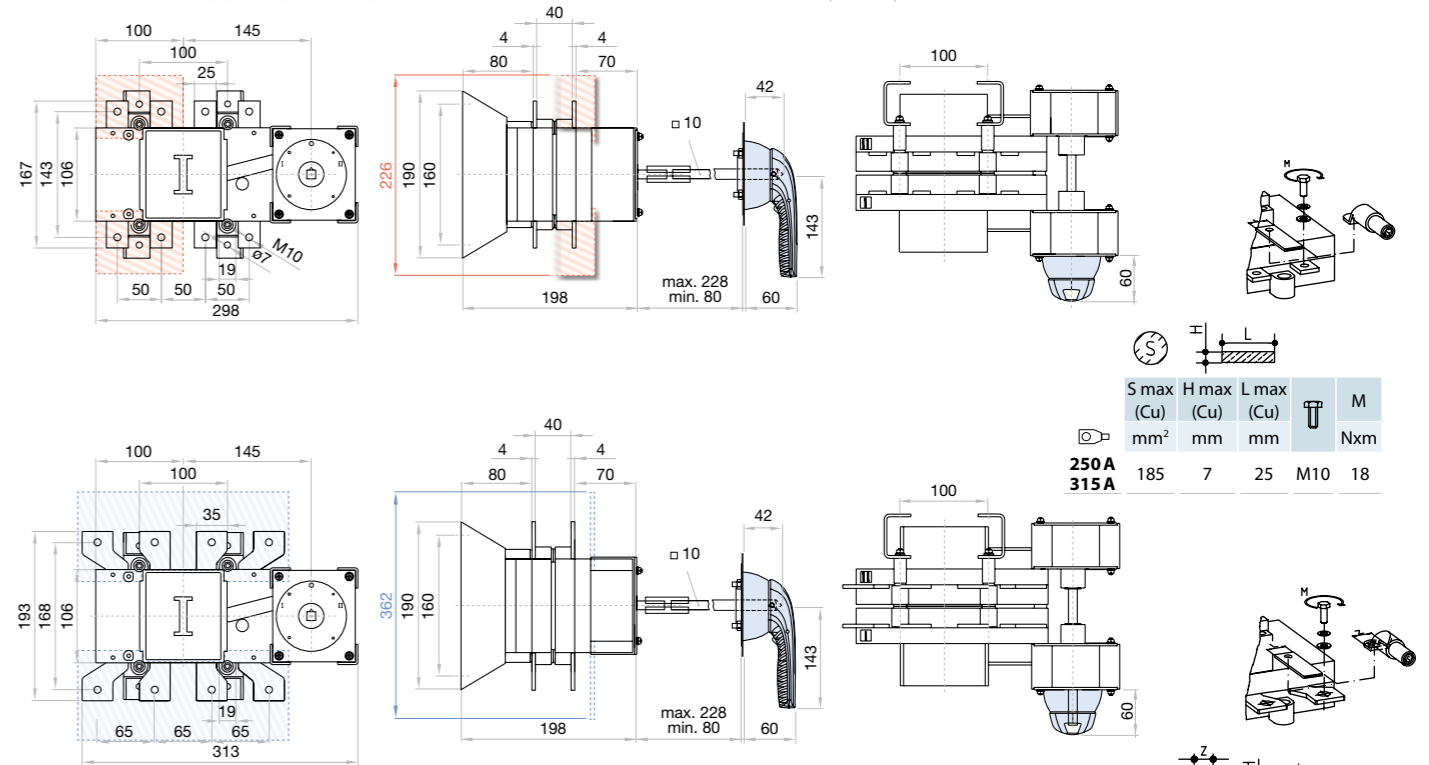


Also available 4P changeover switches under request, please consult

tests:



Dimensions (mm)



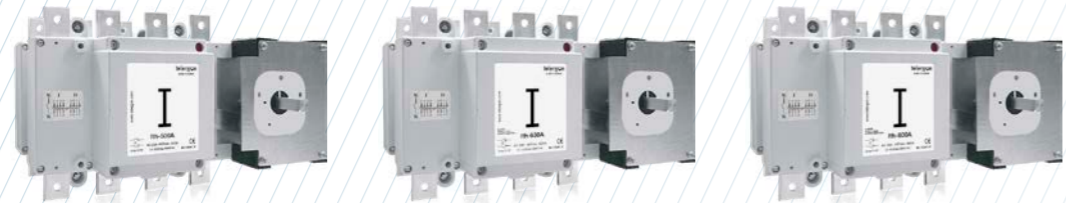
S max (Cu) mm ²	H max (Cu) mm	L max (Cu) mm	M
250A	185	7	25 M10
315A			18

S max (Cu) mm ²	Z max	H max (Cu) mm	L max (Cu) mm	M
400A	240	44	7	40 M10
				24



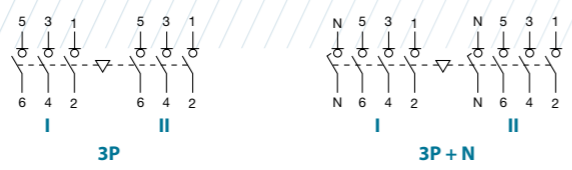
S5F Changeover switch base mounting 3P - 3P+N

Size 2
A 500|630|800



CODE-500A CODE-630A CODE-800A

3P	S5F05003PRO	S5F06303PRO	S5F08003PCO
3P+N	S5F05003NR0	S5F06303NR0	S5F08003NC0



Accessories

- Direct handle**
CODE D5LLI22
- External handle** included shaft^{*(e1)}
IP65
CODE D5LLA21
- Terminal protection**
CODE DS-CU21
 (1 unit for input or output)
- Shafts**
Standard shaft included ^{*(e1)}
L (mm) | P (mm) |
239 | 342... 494 |
Shaft extension
L (mm) | P (mm) | CODE
345 | 342... 600 | DS-EP23
- Bridging links**
CODE D5LPC22 (4 units)
- Auxiliary contacts**
1NO+1NC CODE DS-AU11
2NO+2NC CODE DS-AU12
Ie = 16 A (resistive loads)
4 A (inductive loads) at 250 Vac.

Technical information



According to IEC 60947-3

			500	630	800
Rated thermal current I _{th} in ambient at 40° C	A		500	630	800
Rated insulation voltage U _i	V		1000	1000	1000
Rated impulse withstand voltage U _{imp}	kV		12	12	12
AC Rated operational current ^{*(1)} (Rated operational frequency 50/60 Hz)	I _e U _e 400V AC21A	A	500	630	800
	U _e 400V AC22A	A	500	630	800
	U _e 400V AC23A	A	500	630	800

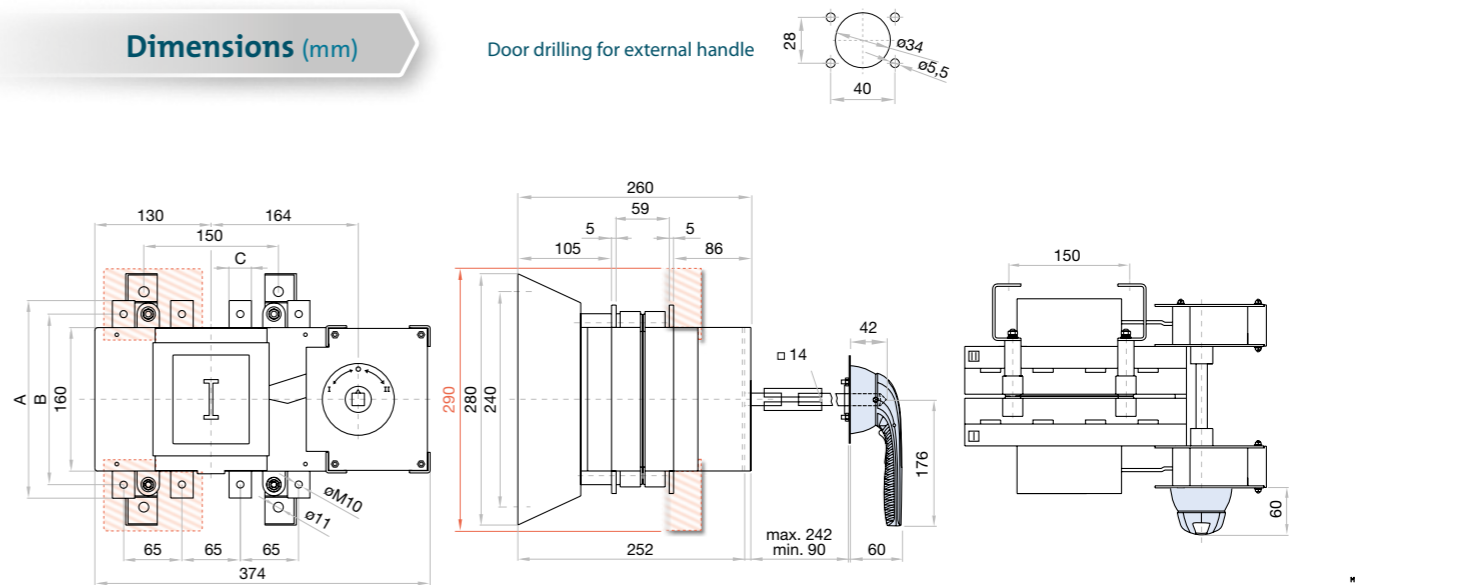
			500	630	800
Rated breaking capacity	400V AC23	A	4000	5000	6400
Rated making capacity	400V AC23	A	5000	6300	8000
Short - circuit behaviour					
Short - circuit making capacity ^{*(2)} I _{cm}	kA (peak)		26	26	26
Short - time withstand current (1 sec.) I _{cw}	kA rms		16	16	16
Number of mechanical operations (according to the standards, for other values please consult)	Cycles		5000	5000	3000
Maximum weight (3/4 poles)	Kg		12,3/13	12,3/13	12,3/13

^{*(1)} Other voltages and / or utilization categories. Please consult
^{*(2)} Without limiting protective device (short-circuit maintained 50 ms. - 100 ms.)



There are versions of changeover switches without OFF 0 position: SSF (I - II) = SSD _____, please consult
Also available 4P changeover switches under request, please consult

Dimensions (mm)

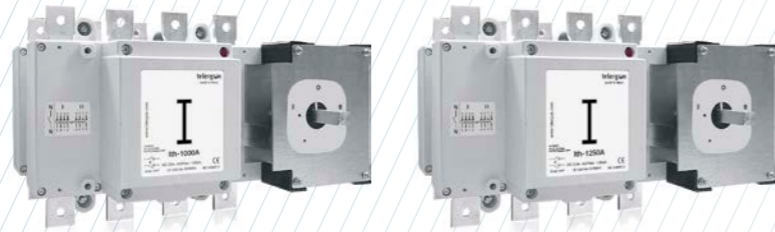


	A	B	C	S max (Cu) mm ²	H max (Cu) mm	L max (Cu) mm	T	M
500 A	220	190	25	2x185	6	40		
630 A	236	206	30	2x240	2x5	40	M10	24
800 A						50		

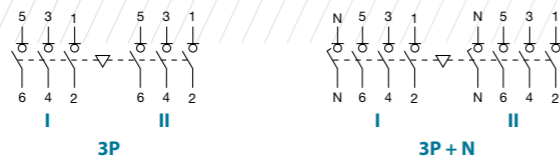


S5F Changeover switch base mounting 3P - 3P+N

Size 3
A 1000|1250



CODE-1000A CODE-1250A
3P S5F10003PC0 S5F12503PC0
3P+N S5F10003NC0 S5F12503NC0



Accessories



» Direct handle
CODE D5LLI32



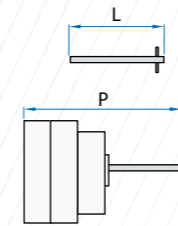
» Terminal protection
CODE DS-CU31
 (1 unit for input or output)



» External handle included shaft ^{*(e1)}
IP65
CODE D5LLA31



» Bridging links
CODE D5LPC32 (4 units)



» Shafts
Standard shaft included ^{*(e1)}
L (mm) | P (mm) |
239 | 364... 516 |
Shaft extension
L (mm) | P (mm) | CODE
345 | 342... 622 | DS-EP23



» Auxiliary contacts
1NO+1NC CODE DS-AU11
2NO+2NC CODE DS-AU12
Ie = 16 A (resistive loads)
4 A (inductive loads) at 250 Vac.

Technical information

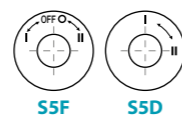


According to IEC 60947-3

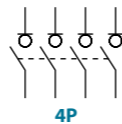
				1000	1250
Rated thermal current	I _{th} in ambient at 40° C	A		1000	1250
Rated insulation voltage	U _i	V		1000	1000
Rated impulse withstand voltage	U _{imp}	kV		12	12
AC Rated operational current ^{*(1)}	I _e U _e 400V AC21A	A		1000	1250
(Rated operational frequency 50/60 Hz)	U _e 400V AC22A	A		1000	1250
	U _e 400V AC23A	A		1000	1000

^{*(1)} Other voltages and/or utilization categories; please consult
^{*(2)} Without limiting protective device (short - circuit maintained 50 ms. - 100 ms.)

				1000	1250
Rated breaking capacity	400V AC23	A		8000	8000
Rated making capacity	400V AC23	A		10000	10000
Short - circuit behaviour					
Short - circuit making capacity ^{*(2)}	I _{cm}	kA (peak)		60	60
Short - time withstand current (1 sec.)	I _{cw}	kA rms		25	25
Number of mechanical operations (according to the standards, for other values please consult)		Cycles		3000	3000
Maximum weight (3/4 poles)		Kg		18,5/20	18,5/20

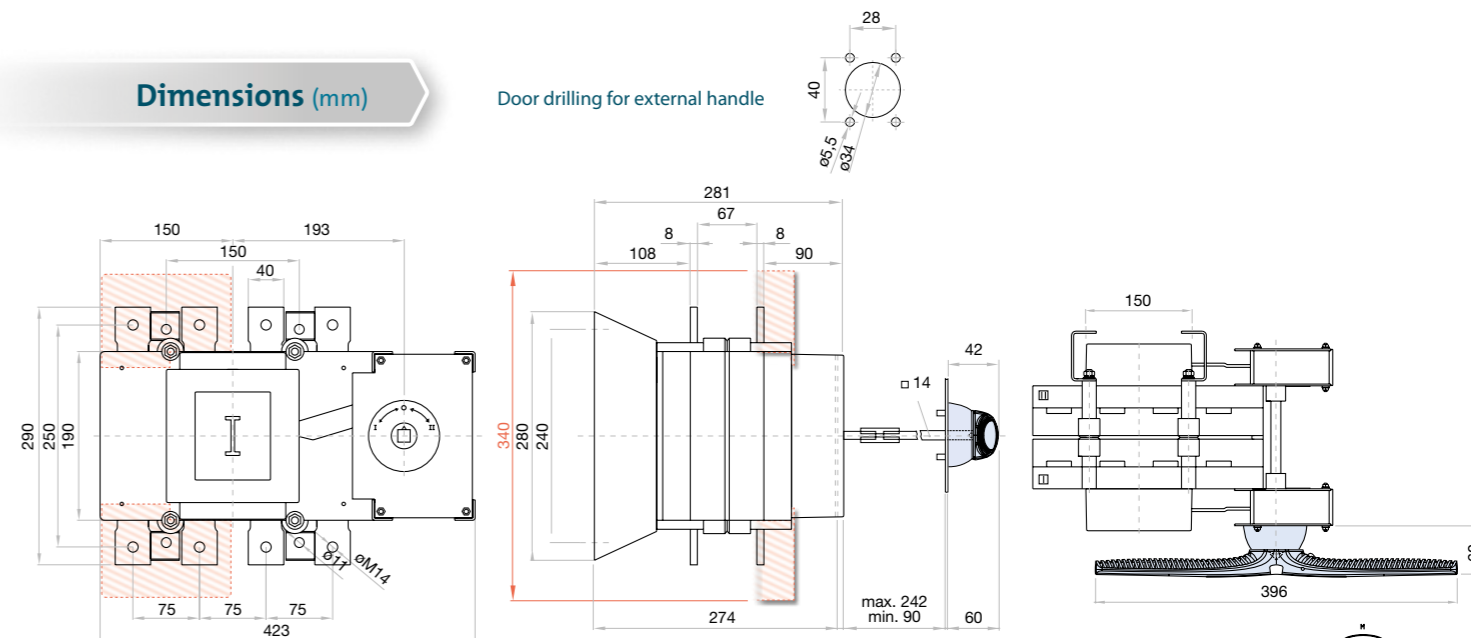


There are versions of changeover switches without OFF 0 position:
SSF (I - II) = SSD please consult



Also available 4P changeover switches under request, please consult

Dimensions (mm)

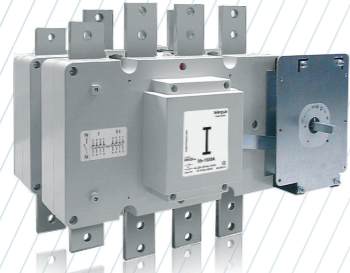


	S max (Cu) mm ²	H max (Cu) mm	L max (Cu) mm	T M
1000 A	2x300	2x10	50	M14
1250 A				45

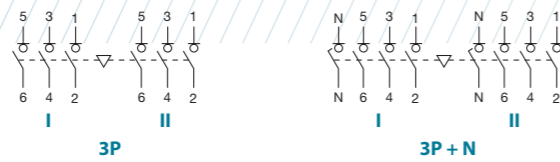


S5F Changeover switch base mounting 3P - 3P+N

Size 4
A 1600|1800|2000



	CODE-1600A	CODE-1800A	CODE-2000A
3P	S5F16003PS0	S5F18003PS0	S5F20003PDO
3P+N	S5F16003NS0	S5F18003NS0	S5F20003ND0



Accessories



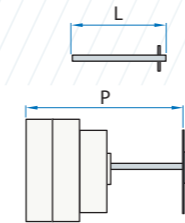
Direct handle

CODE D5LLI32



External handle included shaft^{*(e1)}

IP65
CODE D5LLA31



Shafts

Standard shaft included^{*(e1)}
L (mm) | P (mm)
239 | 418... 573

Shaft extensions
Consult



Terminal shrouds

CODE DS-CU41
(1 kit for input or output, only front side)



Bridging links^{*(P2)}

CODE D5LPC42 (4 units)



Auxiliary contacts

1NO+1NC CODE DS-AU11
2NO+2NC CODE DS-AU12

Ie = 16 A (resistive loads)
4 A (inductive loads) at 250 Vac.

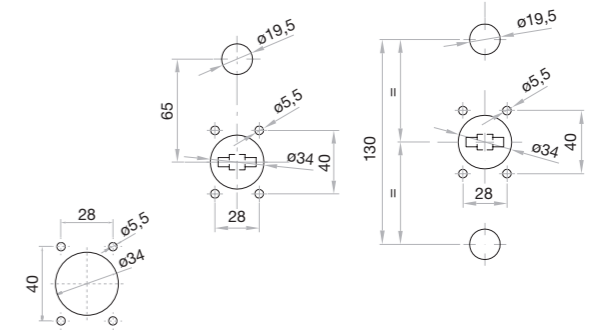


Safety key lock device

Simple CODE D5LCB41
Double CODE D5LCF41

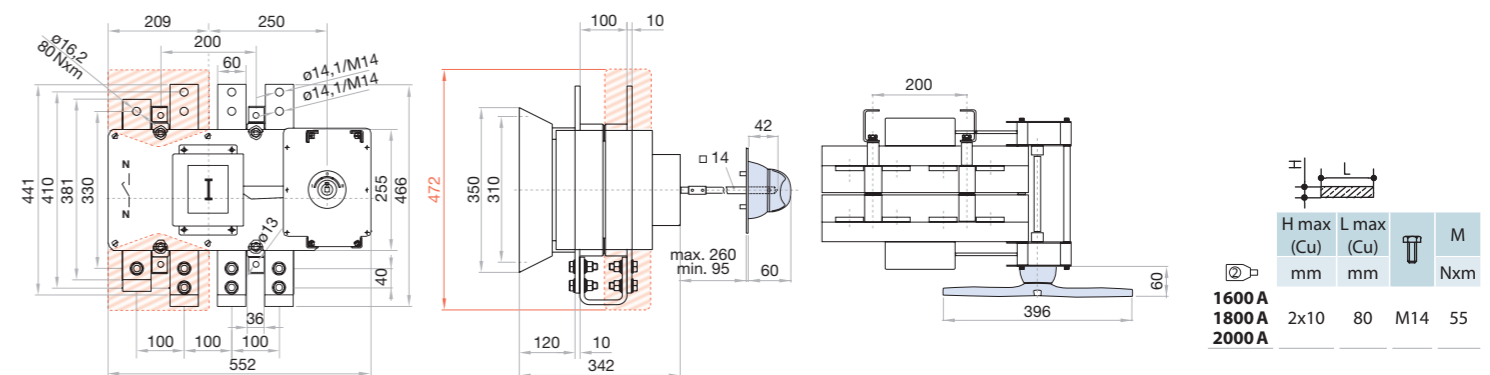
For external handle, lock the handle by means of a key in position "OFF" (under request, in "ON"), the key can only be removed with the handle locked

Door drilling for handle and key lock device



Dimensions (mm)

Door drilling for external handle



Technical information

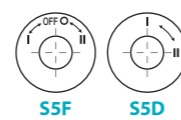


According to IEC 60947-3

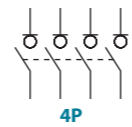
			1600	1800	2000
Rated thermal current I _{th} in ambient at 40° C	A		1600	1800	2000
Rated insulation voltage U _i	V		1000	1000	1000
Rated impulse withstand voltage U _{imp}	kV		12	12	12
AC Rated operational current ^{*(1)} (Rated operational frequency 50/60 Hz)	I _e U _e 400V AC21A	A	1600	1800	2000
	U _e 400V AC22A	A	1600	1800	2000

^{*(1)} Other voltages and/or utilization categories; please consult
^{*(2)} Without limiting protective device (short - circuit maintained 50 ms. - 100 ms.)

			1600	1800	2000
Rated breaking capacity	400V AC22	A	4800	5400	6000
Rated making capacity	400V AC22	A	4800	5400	6000
Short - circuit behaviour					
Short - circuit making capacity ^{*(2)}	I _{cm}	kA (peak)	75	75	75
Short - time withstand current (1 sec.)	I _{cw}	kA rms	50	50	50
Number of mechanical operations (according to the standards, for other values please consult)	Cycles		3000	3000	3000
Maximum weight (3/4 poles) (without bridging links)		Kg	42,9/47,3	42,9/47,3	42,9/47,3



There are versions of changeover switches without OFF 0 position:
SSF (I +II) = SSD....., please consult

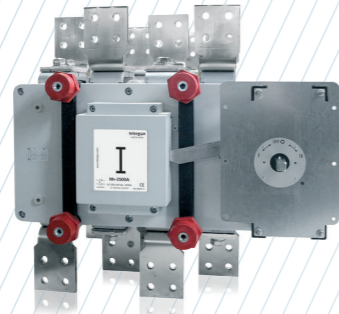


Also available 4P changeover switches under request, please consult

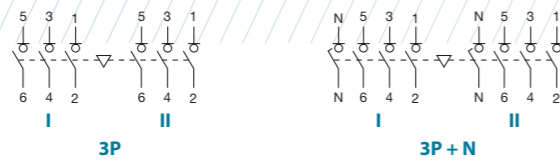


S5F Changeover switch base mounting 3P - 3P+N

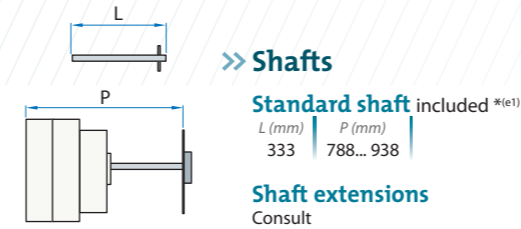
Size 5
A 2000|2500|3150



	CODE-2000A	CODE-2500A	CODE-3150A
3P	S5F20003PP0	S5F25003PP0	S5F31503PP0
3P + N	S5F20003NP0	S5F25003NP0	S5F31503NP0



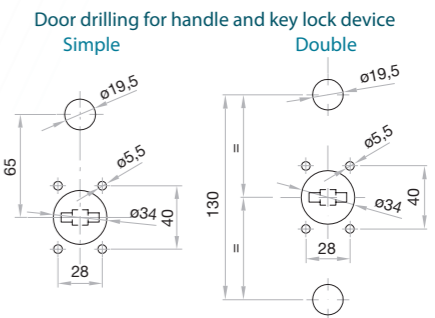
Accessories



Auxiliary contacts
1NO+1NC CODE DS-AU11
2NO+2NC CODE DS-AU12
Ie = 16 A (resistive loads)
4 A (inductive loads) at 250 Vac.



Safety key lock device
Simple CODE DSLCB41
Double CODE DSLCF41
For external handle, lock the handle by means of a key in position "OFF" (under request, in "ON"), the key can only be removed with the handle locked



Technical information

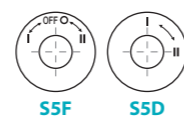


According to IEC 60947-3

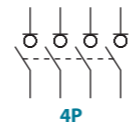
			2000	2500	3150
Rated thermal current I _{th} in ambient at 40° C	A		2000	2500	3150
Rated insulation voltage U _i	V		1000	1000	1000
Rated impulse withstand voltage U _{imp}	kV		8	8	8
AC Rated operational current ^{*(1)} (Rated operational frequency 50/60 Hz)	I _e	U _e 400V AC21A	A 2000	2500	3150
		U _e 400V AC22B	A 2000	2500	2500

^{*(1)} Other voltages and/or utilization categories; please consult
^{*(2)} Without limiting protective device (short - circuit maintained 50 ms. - 100 ms.)

			2000	2500	3150
Rated breaking capacity	400V AC22	A	6000	7500	9450
Rated making capacity	400V AC22	A	6000	7500	9450
Short - circuit behaviour					
Short - circuit making capacity ^{*(2)}	I _{cm}	kA (peak)	100	100	100
Short - time withstand current (1 sec.)	I _{cw}	kA rms	50	50	50
Number of mechanical operations (according to the standards, for other values please consult)	Cycles		600	600	600
Maximum weight (3/4 poles)		Kg	Consult		

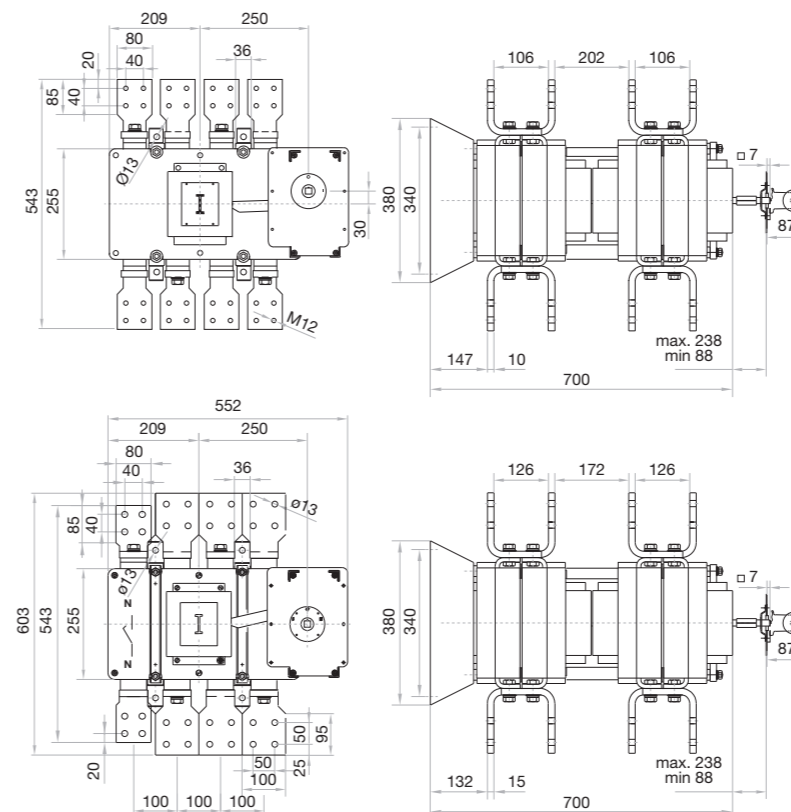


There are versions of changeover switches without OFF 0 position:
S5F (I+II) = S5D please consult



Also available 4P changeover switches under request, please consult

Dimensions (mm)



Door drilling for external handle

